



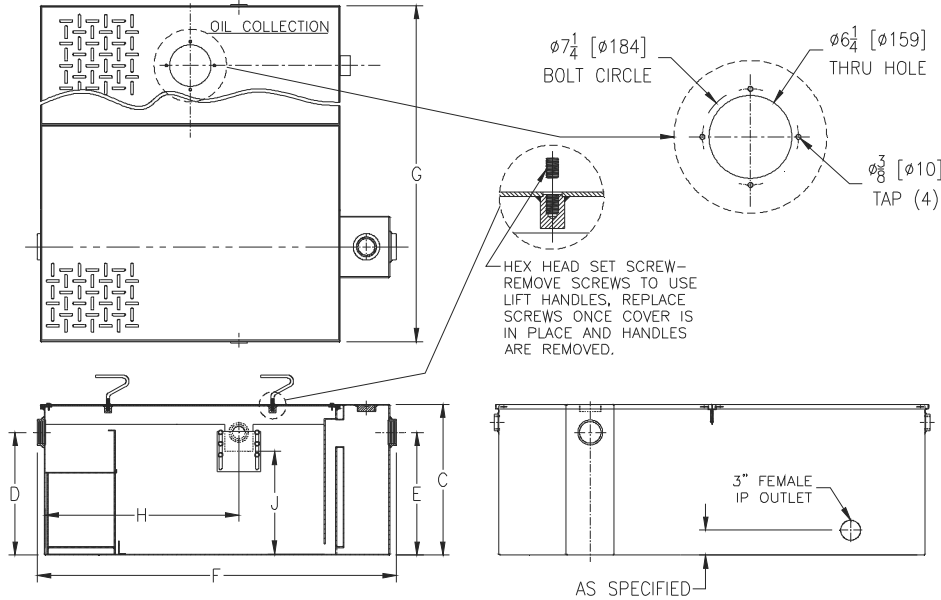
Z1188-ST-94

LARGE CAPACITY OIL INTERCEPTOR W/INTEGRAL STORAGE TANK, 3 [76] OIL DISCHARGE CONNECTION, AND CUSTOM HOLE IN COVER

SPECIFICATION SHEET

TAG _____

Dimensional Data (inches and [mm]) are Subject to Manufacturing Tolerances and Change Without Notice



Flow Rate GPM [L] Min.	Oil Storage Tank Cap. Gal. [L]	No. of Covers	
		Trap	Tank
75 [284]	125 [473]	1	1
100 [379]	250 [946]	1	1
125 [473]	250 [946]	2	2
150 [568]	250 [946]	2	2
200 [757]	400 [1514]	2	2
250 [946]	400 [1514]	2	2
300 [1136]	400 [1514]	2	2
350 [1325]	700 [2650]	2	2
400 [1514]	700 [2650]	2	2
450 [1703]	700 [2650]	2	2
500 [1893]	700 [2650]	2	2

Flow Rate GPM [L] Min.	Inlet/ Outlet Size	Water Capacity Gal. [L]	Approx. Wt. Lbs. [kg]	Dimensions in Inches					
				C	D/E	F	G	H	J
75 [284]	3 [76]	88 [333]	615 [279]	22-3/4 [578]	18-1/2 [470]	51-3/8 [1305]	65-3/8 [1661]	29-1/4 [743]	15-1/2 [394]
100 [379]	3 [76]	159 [602]	800 [363]	27 [686]	23 [584]	60-3/8 [1534]	82-3/8 [2092]	35-1/4 [895]	19-3/4 [502]
125 [473]	3 [76]	208 [787]	1450 [658]	30-1/8 [765]	24-1/2 [622]	64-1/4 [1632]	84-5/8 [2150]	36 [914]	21 [533]
150 [568]	4 [102]	235 [890]	1640 [743]	30-3/4 [781]	25-1/4 [641]	68-1/4 [1734]	82-3/4 [2102]	38-11/16 [983]	21-5/8 [549]
200 [757]	4 [102]	333 [1261]	1950 [885]	35-1/2 [901]	29-7/8 [759]	71-3/8 [1813]	92-3/4 [2356]	43-1/2 [1105]	26-3/8 [670]
250 [946]	5 [127]	445 [1685]	2650 [1202]	41 [1041]	36 [914]	75-1/2 [1918]	95-5/8 [2429]	40-3/4 [1035]	32-1/2 [825]
300 [1136]	5 [127]	664 [2514]	3400 [1542]	46-1/4 [1175]	39-5/8 [1006]	82-3/8 [2092]	92-3/8 [2346]	48-1/16 [2221]	37-3/4 [959]
350 [1325]	6 [152]	1006 [3808]	4000 [1814]	50-1/2 [1283]	43-7/8 [1114]	103-1/8 [2619]	104-3/4 [2661]	61-15/16 [1573]	40-3/8 [1026]
400 [1514]	6 [152]	1266 [4792]	4700 [2132]	54-1/4 [1378]	47-5/8 [1210]	110-1/8 [2797]	102-5/8 [2607]	66-9/16 [1691]	44-1/8 [1121]
450 [1703]	6 [152]	1575 [5962]	5200 [2359]	55-1/4 [1403]	48-5/8 [1235]	123-1/8 [3127]	102-7/8 [2613]	75-1/4 [1911]	44-5/8 [1133]
500 [1893]	6 [152]	1695 [6416]	5500 [2495]	57-1/4 [1454]	51-5/8 [1311]	124-1/8 [3153]	103-5/8 [2632]	73-15/16 [1878]	48-1/8 [1222]

ENGINEERING SPECIFICATION: ZURN Z1188-ST-94

Acid Resistant Coated interior and exterior fabricated steel oil interceptor, with bronze cleanout plug and visible double wall trap seal, removable combination pressure equalizing/flow diffusing baffle and sediment bucket, adjustable oil draw-off, vent connections, secured gasketed non-skid cover, 3 [76] oil discharge connection, custom hole in cover, and complete with flow control fitting and left hand integral storage tank. Regularly furnished with inlet and outlet in high position. Note: location of outlet from bottom of interceptor cannot be changed.

OPTIONS (Check/specify appropriate options)

PREFIXES

___ Z Acid Resistant Coated Fabricated Steel*

SUFFIXES

- ___ -E Integral Acid Resistant Coated interior and exterior fabricated steel extension section. (Specify 'C' Dim. required) for recessed installation.
- ___ -HD Heavy-duty traffic cover rated at 10,000 lbs. maximum safe live load. An increased 'C' dim. is required when -HD option is specified. (See -HD option specification sheet)
- ___ -K Anchor flange 1 3/4 [44] down from top and 2 [51] wide. A 3 [76] minimum extension height is required when anchor flange (-K) option is specified. (Specify 'C' Dim. height required.)
- ___ -KC Anchor flange 1 3/4 [44] down from top and 2 [51] wide with clamp collar. A 3 [76] minimum extension height is required when anchor flange (-KC) option is specified. (Specify 'C' Dim. height required.)
- ___ -STR Storage tank on right hand side when facing the inlet.

* Regularly furnished unless otherwise specified.

Zurn Industries, LLC | Specification Drainage Operation
1801 Pittsburgh Avenue, Erie, PA U.S.A. 16502 · Ph. 855-663-9876, Fax 814-454-7929

In Canada | Zurn Industries Limited
3544 Nashua Drive, Mississauga, Ontario L4V 1L2 · Ph. 905-405-8272, Fax 905-405-1292

www.zurn.com

Rev. -
Date: 10/28/13
C.N. No. 130200
Prod. | Dwg. No. Z1188-ST-94