



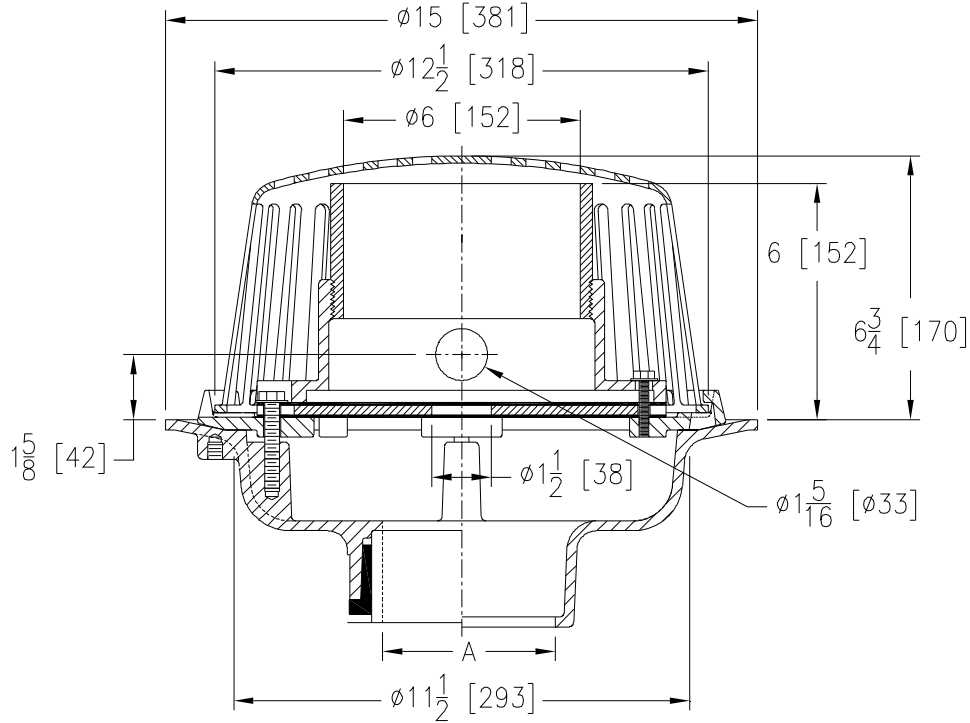
Z100-190

15 [381] DIAMETER MAIN ROOF DRAIN W/FLOW CONTROLLING WATER DAM, FLOW CONTROLLING PLATE, AND HIGH DOME

SPECIFICATION SHEET

TAG _____

Dimensional Data (inches and [mm]) are Subject to Manufacturing Tolerances and Change Without Notice



A Pipe Size In.	Approx. Wt. Lbs. [kg]	Dome Open Area Sq. In. [cm ²]
2,3,4 [51,76,102]	36 [16]	148 [956]
5,6 [127,152]	37 [17]	
8 [203]	38 [18]	

ENGINEERING SPECIFICATION: ZURN Z100-190

15 [381] Diameter roof drain. Dura-Coated cast iron body with combination membrane flashing clamp/gravel guard, gasketed flow controlling water dam, gasketed flow controlling plate, and high dome.

OPTIONS (Check/specify appropriate options)

PIPE SIZE

2 thru 6,8 [51 thru 152,203]
 2 thru 6,8 [51 thru 152,203]
 2 thru 6,8 [51 thru 152,203]
 2,3,4 [51,76,102]
 6 [152]

(Specify size/type) OUTLET

____ IC Inside Caulk
 ____ IP Threaded
 ____ NH No-Hub
 ____ NL Neo-Loc
 ____ NL Neo-Loc

E BODY HT. DIM.

5 1/4 [133]
 3 3/4 [95]
 5 1/4 [133]
 4 9/16 [116]
 5 7/16 [112]

PREFIXES

____ ZA D.C.C.I. Body with 6 3/4 [171] High Aluminum Dome*

SUFFIXES

____ -AC Angular Underdeck Clamp	____ -R Roof Sump Receiver
____ -AR Acid Resistant Epoxy Coated	____ -SC Secondary Clamp Collar
____ -BS Bronze Mesh Screen Over Dome	____ -SS Stainless Steel Mesh Screen Over Dome
____ -C Underdeck Clamp	____ -VP Vandal-Proof Secured Top
____ -DE Deck Extension	____ -84 Stainless Steel Perforated Gravel Guard
____ -DP Top-Set® Deck Plate (Replaces both the -C and -R)	____ -90 90° Threaded Side Outlet Body (2 thru 6 [51 or 152])
____ -DR Top-Set® Drain Riser	
____ -DX Dex-o-tex Flange	
____ -E Static Extension 1 [25] thru 4 [102] (Specify Ht.)	
____ -EA Adjustable Extension Assembly 2 1/8 [54] thru 3 1/2 [89]	
____ -EB Top-Set® Adjustable Extension Assembly	
____ -G Galvanized Cast Iron	

*REGULARLY FURNISHED UNLESS OTHERWISE SPECIFIED

REV. DATE: 7/22/08 C.N. NO. 98858

DWG. NO. P-15570 PRODUCT NO. Z100-190

ZURN INDUSTRIES, LLC ♦ SPECIFICATION DRAINAGE OPERATION ♦ 1801 Pittsburgh Ave. ♦ Erie, PA 16514

Phone: 814/455-0921 ♦ Fax: 814/454-7929 ♦ World Wide Web: www.zurn.com

In Canada: ZURN INDUSTRIES LIMITED ♦ 3544 Nashua Drive ♦ Mississauga, Ontario L4V1L2 ♦ Phone: 905/405-8272 Fax: 905/405-1292