



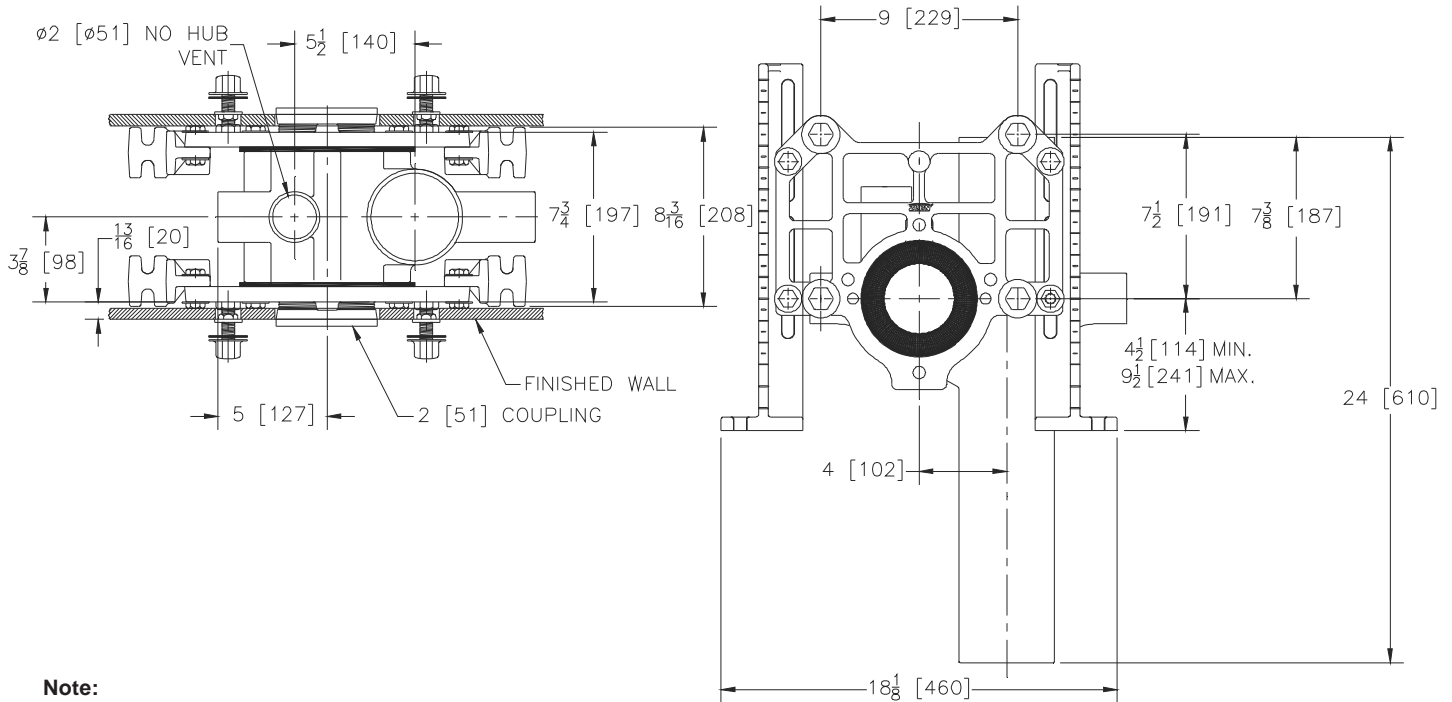
# ZN1209-ND4

## VERTICAL OFFSET BACK-TO-BACK SIPHON JET NO-HUB NARROW WALL SYSTEM

SPECIFICATION SHEET

TAG \_\_\_\_\_

Dimensional Data (inches and [ mm ]) are Subject to Manufacturing Tolerances and Change Without Notice



**Note:**

1. Feet bolted to floor using min. 1/2 [13] dia. bolts and back slots on carrier feet.

Product No.	Approx. Wt. Lbs.
ZN1209-ND4	109 [49]

**ENGINEERING SPECIFICATION: ZURN ZN1209-ND4**

Narrow Wall Back-To-Back, Vertical Offset Siphon Jet Water Closet "Rigid System" with ( ) size No-Hub or Hub and Spigot connections and 2 [51] vent Complete with Dura-Coated Cast Iron main fitting, Separable Face Plates, Rigidly Mounted on Fitting, Universal Floor Mounted Supports, Corrosion Resistant Adjustable ABS couplings with integral test cap, fixture bolts trim, and stud protectors. Rear anchor tie down, and bonded "Neo-Seal" gasket.

**PRODUCT/DEFINITION**

\_\_\_ **ZN1209-ND4** 4 [102] No-Hub Stack, Double Inlet, 2 [51] Vent

**PREFIXES**

- \_\_\_ **Z** D.C.C.I. System with Zurn "ZZ" Adjustable Coupling\*
- \_\_\_ **ZQ** D.C.C.I. System with Non-Adjustable Coupling

**SUFFIXES**

- \_\_\_ **-B** Blowout Type Fixture Support
- \_\_\_ **-CC** Corrosion Resistant Cast Iron Coupling
- \_\_\_ **-G** Galvanized Cast Iron
- \_\_\_ **-JJ** Two 2 [51] Auxiliary Inlets
- \_\_\_ **-JS** 2 [51] Stack Side Auxiliary Inlet
- \_\_\_ **-JV** 2 [51] Vent Side Auxiliary Inlet
- \_\_\_ **-VP** Vandal Proof Trim
- \_\_\_ **-X3** 3[76] Inch Foot Extension
- \_\_\_ **-X4** 4[102] Inch Foot Extension
- \_\_\_ **-29** Mechanical Test Cap Assembly
- \_\_\_ **-45** Finishing Frame for Siphon Jet System (For Blowout System specify -45-B)
- \_\_\_ **-50** Flush Valve Supply Support for Water Close
- \_\_\_ **-61** "ZZ" Coupling Wrench

\*REGULARLY FURNISHED UNLESS OTHERWISE SPECIFIED

<b>REV. B</b>	<b>DATE: 07/19/13</b>	<b>C.N. NO. 129674</b>
<b>PROD. NO./DWG. NO. ZN1209-ND4</b>		