



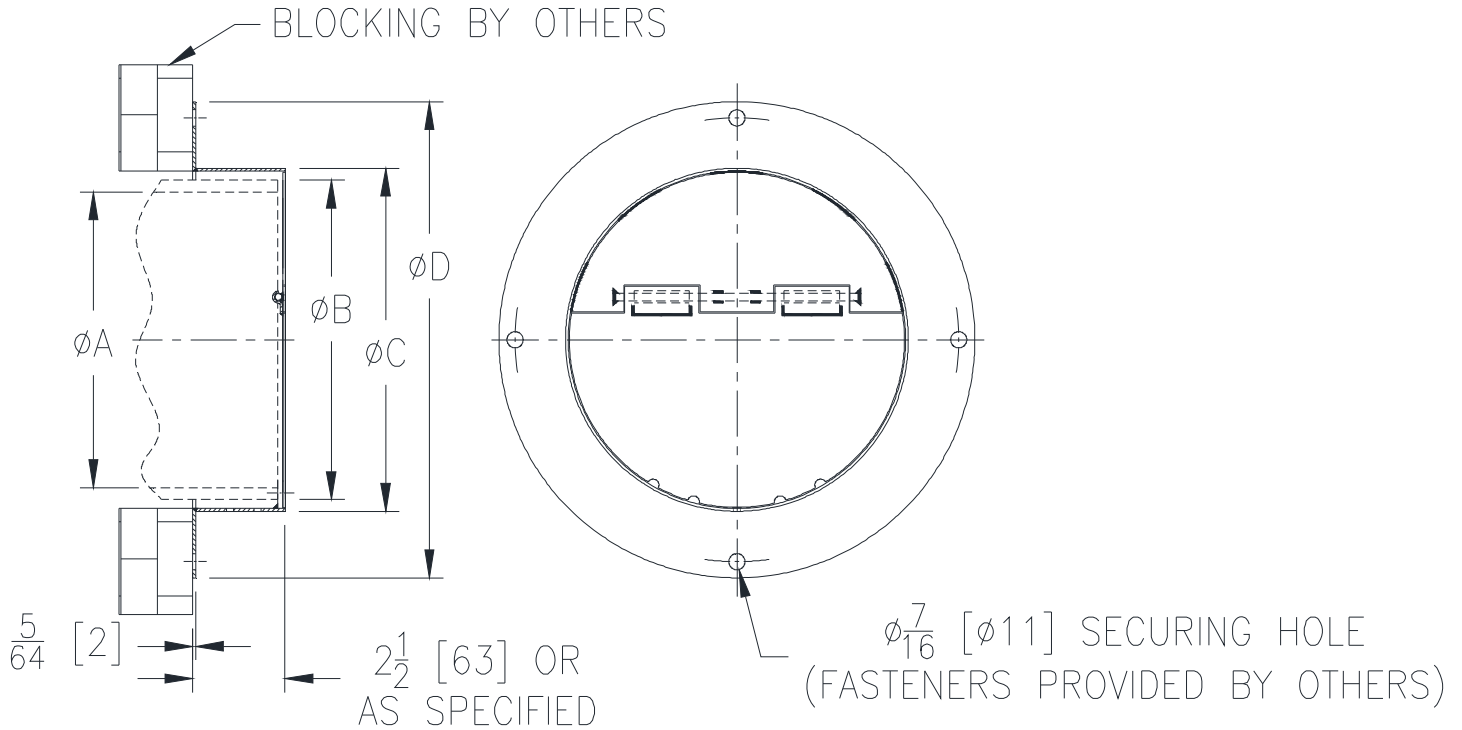
Z199-DC-88

SOLID DOWNSPOUT COVER

SPECIFICATION SHEET

TAG _____

Dimensional Data (inches and [mm]) are Subject to Manufacturing Tolerances and Change Without Notice



Dimensions In Inches [mm]			
A Pipe Size	B PIPE O.D.	C	D
3 [76]	3-1/2 [89]	4-1/4 [108]	7-7/8 [200]
4 [102]	4-1/2 [114]	5-5/32 [131]	8-3/4 [222]
6 [152]	6-5/8 [168]	7-1/4 [184]	10-7/8 [276]
8 [203]	8-5/8 [219]	9-1/4 [235]	12-7/8 [327]
10 [254]	10-3/4 [273]	11-3/8 [289]	15 [381]
12 [303]	12-3/4 [324]	13-3/8 [340]	17 [432]
15 [381]	15-7/8 [403]	16-1/2 [419]	20-1/8 [511]

ENGINEERING SPECIFICATION: ZURNZS199-DC-88

Downspout Cover, round fabricated stainless steel frame with fabricated solid stainless steel hinged cover.

OPTIONS (Check/specify appropriate options)

PREFIXES

___ ZS Type 304 Stainless Steel*

SUFFIXES

___ -CP Chrome Plated
 ___ -5 5 [127] Long Downspout Frame

* Regularly furnished unless otherwise specified.