



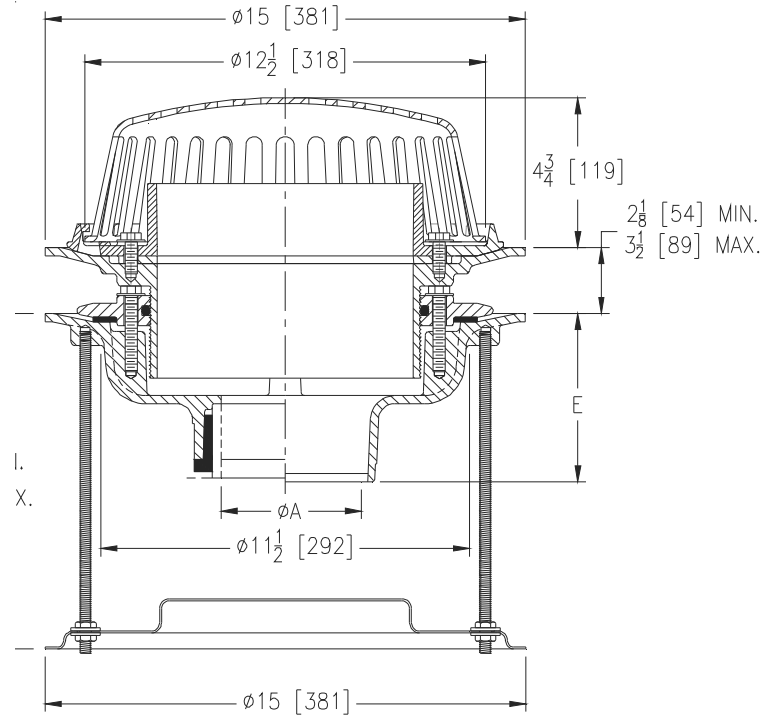
Z100-297

15 [381] DIAMETER MAIN ROOF DRAIN W/
ADJUSTABLE EXTENSION, 3 [76] INTERNAL WATER
DAM, & STABILIZER ASSEMBLY

SPECIFICATION SHEET

TAG _____

Dimensional Data (inches and [mm]) are Subject to Manufacturing Tolerances and Change Without Notice



A Pipe Size In.	Approx. Wt. Lbs. [kg]	Dome Open Area Sq. In. [cm ²]
2-3-4 [51-76-102]	38 [17]	103 [665]

ENGINEERING SPECIFICATION: ZURN Z100-297

15 [381] Diameter roof drain. Dura-Coated cast iron body with combination membrane flashing clamp/gravel guard with 3 [76] internal water dam, adjustable extension, secondary clamping collar with o-ring, low silhouette Poly-Dome strainer, and stabilizer assembly.

OPTIONS (Check/specify appropriate options)

PIPE SIZE

2-3-4 [51-76-102]
2-3-4 [51-76-102]

(Specify size/type) **OUTLET**

_____ NH No-Hub
_____ NL Neo-Loc

E BODY HT. DIM.

5-1/4 [133]
4-9/16 [116]

PREFIXES

_____ Z D.C.C.I. Body with Poly-Dome*
_____ ZA D.C.C.I. Body with 6-3/4 [171] High Aluminum Dome
_____ ZC D.C.C.I. Body with Cast Iron Dome
_____ ZRB D.C.C.I. Body with Plain Bronze Dome

SUFFIXES

_____ -AR Acid Resistant Epoxy Coated Finish	_____ -SS Stainless Steel Mesh Screen Over Dome
_____ -BS Bronze Mesh Screen Over Dome	_____ -TC Neo-Loc Test Cap Gasket (2-4 [51-102] NL Bottom Outlet Only)
_____ -DX Dex-o-tex Flange	_____ -VP Vandal-Proof Secured Top
_____ -E Static Extension 1 [25] thru 4 [102] (Specify Ht.)	_____ -84 Stainless Steel Perforated Gravel Guard
_____ -G Galvanized Cast Iron	_____ -85 Stainless Steel Perforated Extension
_____ -GD Galvanized Cast Iron Dome (ZC only)	
_____ -R Roof Sump Receiver	
_____ -SC Secondary Clamping Collar	

* Regularly furnished unless otherwise specified.