



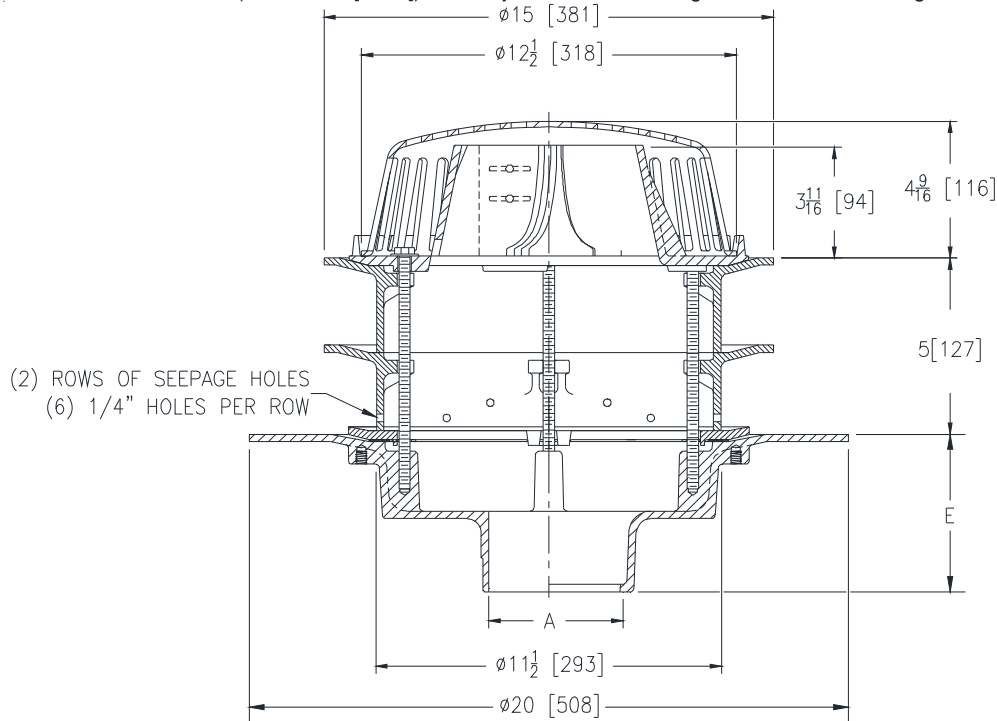
Z105-98

"CONTROL-FLO" ROOF DRAIN W/ DEX-O-TEX FLANGE, EXTENSION W/ SEEPAGE HOLES, & PARABOLIC WEIR

SPECIFICATION SHEET

TAG _____

Dimensional Data (inches and [mm]) are Subject to Manufacturing Tolerances and Change Without Notice



A- Pipe Size In. [mm]	Approx. Wt. Lbs. [kg]	Dome Open Area Sq. In. [cm ²]
2,3,4 [51,76,102]	45 [20]	103 [665]

ENGINEERING SPECIFICATION: ZURN Z105-98

Ø15 "[381mm]" Control-Flo" roof drain for Dead-Level roof construction, Dura-Coated cast iron body with Dex-O-Tex flange, static extension with seepage holes and secondary clamp collar, "Control-Flow" weir shall be linear functioning, flowing 5 GPM/in of head with integral membrane flashing clamp/gravel guard and Poly-Dome. All data shall be verified proportional to flow rates.

OPTIONS (Check/specify appropriate options)

PIPE SIZE

2,3,4 [51,76,102]
 2,3,4 [51,76,102]
 2,3,4 [51,76,102]
 2,3,4 [51,76,102]

(Specify size/type) OUTLET

_____ IC Inside Caulk
 _____ IP Threaded
 _____ NH No-Hub
 _____ NL Neo-Loc

E BODY HT. DIM.

5-1/4 [133]
 3-3/4 [95]
 5-1/4 [133]
 4-9/16 [116]

PREFIXES

_____ Z D.C.C.I. Body with Poly-Dome*
 _____ ZA D.C.C.I. Body with Aluminum Dome
 _____ ZC D.C.C.I. Body with Cast Iron Dome
 _____ ZRB D.C.C.I. Body with Plain Bronze Dome

SUFFIXES

_____ -C Underdeck Clamp	_____ -TC Neo-Loc Test Cap Gasket (2,3,4 [51,76,102] NL Bottom Outlet Only)
_____ -DE Deck Extension	_____ -VP Vandal Proof Secured Top
_____ -DR Top-Set® Drain Rise	_____ -XJ Vertical Expansion Joint (See Z190)
_____ -EA Adjustable Extension Assembly 2-1/8 [54] thru 3-1/2 [89]	_____ -10 6 [152] High Parabolic Weir for Sloped Roof (Z or ZA)
_____ -G Galvanized Cast Iron	_____ -90 90° Threaded Side Outlet Body
_____ -R Roof Sump Receiver	

* Regularly furnished unless otherwise specified.

Zurn Industries, LLC | Specification Drainage Operation
 1801 Pittsburgh Avenue, Erie, PA U.S.A. 16502 · Ph. 855-663-9876, Fax 814-454-7929
 In Canada | Zurn Industries Limited
 3544 Nashua Drive, Mississauga, Ontario L4V 1L2 · Ph. 905-405-8272, Fax 905-405-1292
www.zurn.com

Rev. -
 Date: 4/27/15
 C.N. No. 132592
 Prod. | Dwg. No. Z105-98