



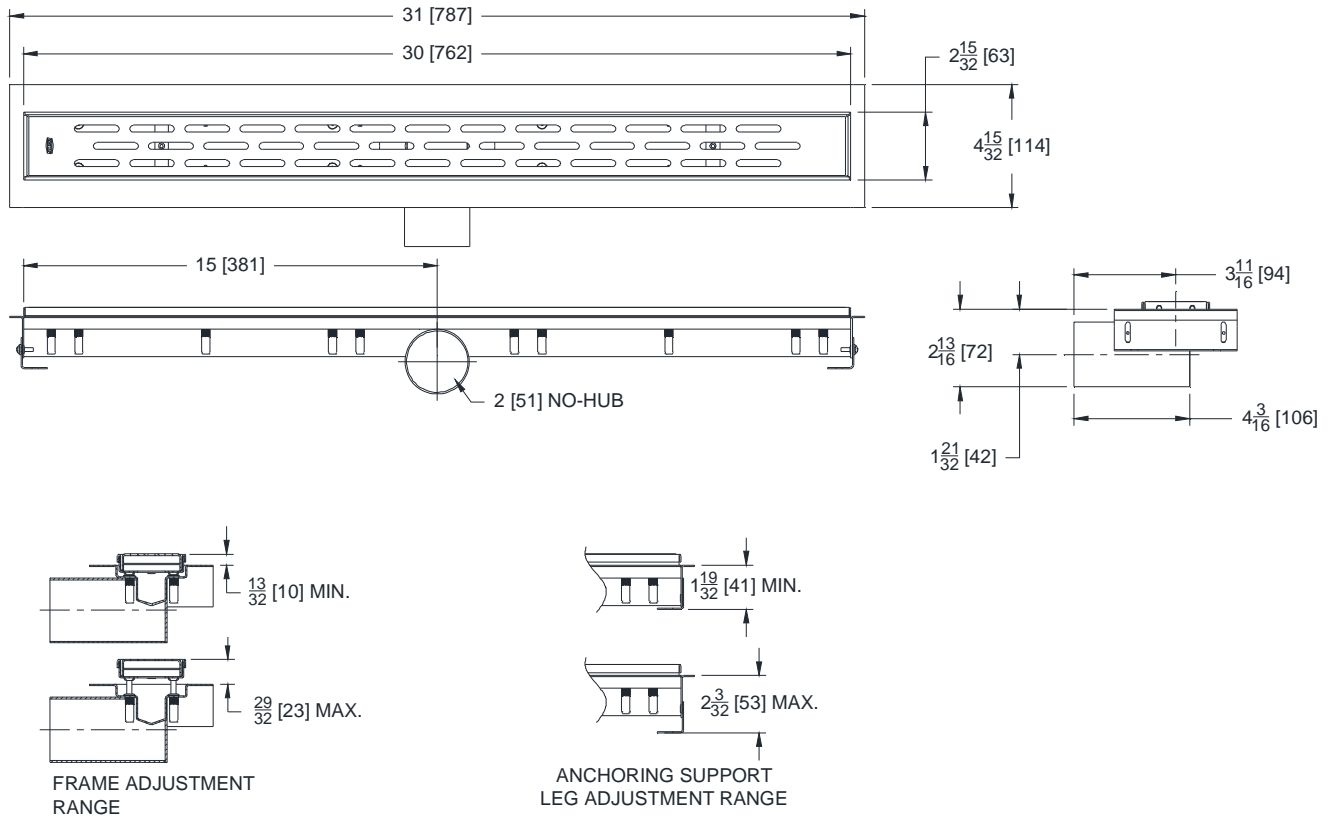
# ZS880-88

## STAINLESS STEEL LINEAR SHOWER DRAIN WITH SIDE OUTLET & SLOTTED GRATE

SPECIFICATION SHEET

TAG \_\_\_\_\_

Dimensional data (inches and [mm]) are subject to manufacturing tolerances and change without notice.



### ENGINEERING SPECIFICATION: ZS880-88

30" [762mm] long All Type 304 (CF8) Fabricated Stainless Steel Linear Shower Drain. Complete with narrowed vertically adjustable anchoring support legs, anti-ponding V-shaped channel with 2" [51mm] No-Hub side outlet, adjustable secured leveling frame with built-in tile edge, and secured, light-duty, slotted heel-proof grate. Grate has an open area of 15in<sup>2</sup> [97cm<sup>2</sup>]. Drain can be adjusted to accommodate 1/4" [6mm] and 3/8" [10mm] finished tile thicknesses.

### OPTIONS (Check/specify appropriate options)

#### PREFIXES

- \_\_\_ ZS All Type 304 (CF8) Stainless Steel\*
- \_\_\_ ZR All Type 304 (CF8) Stainless Steel w/ Oil-Rubbed Bronze Finish

#### SUFFIXES

- \_\_\_ -POL Polished finish

\* Regularly furnished unless otherwise specified