



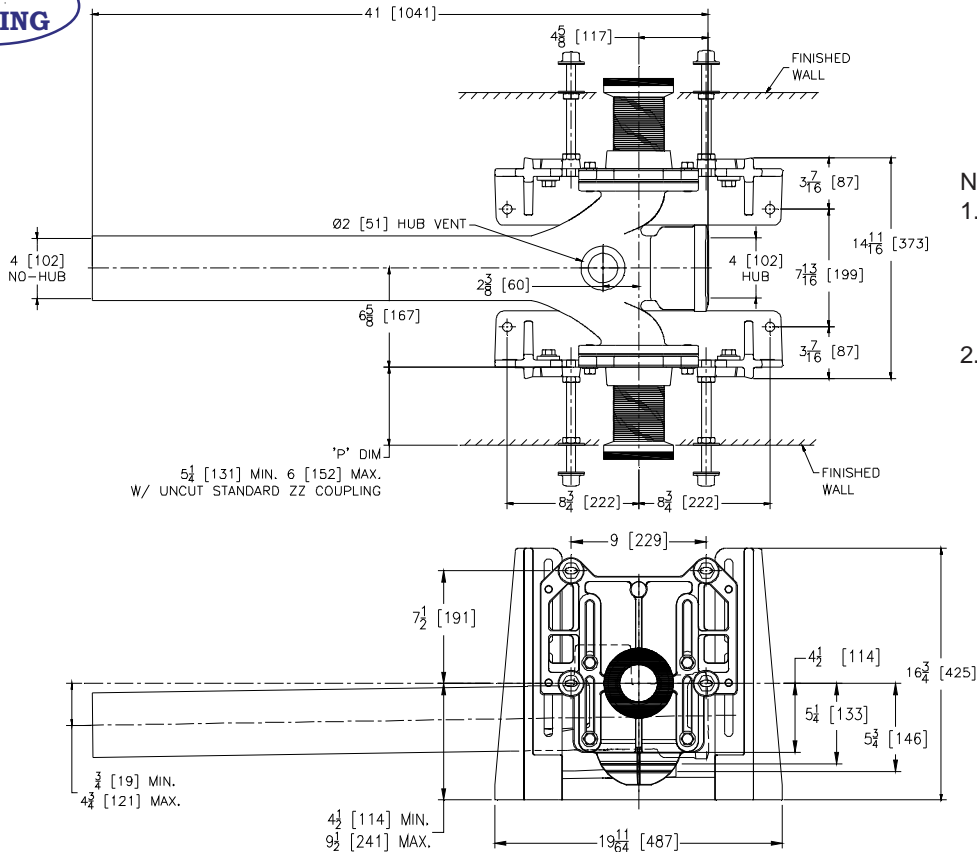
ZE1201-HD4-XH

SPECIFICATION SHEET

EXTRA HEAVY-DUTY 750 LBS [340KG] ELONGATED BARREL FITTING
 41 [1041] EZCARRY® ADJUSTABLE HORIZONTAL HIGH PERFORMANCE TAG _____
 SIPHON JET HUB & SPIGOT WATER CLOSET CARRIER SYSTEM

**PATENT
PENDING**

Dimensional Data (inches and [mm]) are Subject to Manufacturing Tolerances and Change Without Notice



Product Number	Approx. Wt. lbs [kg]
ZE1201-HD4-XH	125 [57]

- Note:
- Cut ZZ coupling, Min. 'P' Dim. Obtainable=2 [51].
Cut EZ-Set™ Coupling, Min. 'P' Dim. Obtainable=4-1/4 [108] or 2-1/16 [52] for 12 [305] NPT.
 - Feet bolted to floor using min. 1/2 [13] dia. anchors.

ZE1201-HD4-XH Illustrated

ENGINEERING SPECIFICATION: ZURN ZE1201-HD4-XH

EZCarry® horizontal siphon jet water closet carrier system, with high performance Dura-Coated cast iron main fitting with hydromechanically optimized sweeps, 4" [102 mm] hub & spigot connections, 38" [965 mm] barrel for stall to stall direct connection, and extended 2" [51 mm] vent. Corrosion resistant, adjustable 3" [76 mm] dia. X 6" [152 mm] couplings with integral test caps, designed to increase flow velocity and line carry, and labor saving "Neo-Seal" bonded gaskets optimize flow performance while reducing installation steps. Complete system includes adjustable, gasketed faceplates; floor mounted pre-fab foot supports with top anchoring pre-fab support base; heavy-duty 1/2" [13 mm] rear anchor tie downs; fixture bolts, trim, and stud protectors. EZCarry® XH system complies with all applicable requirements of ASME A112.6.1M up to a 750lbs [340kg] maximum static load.

OPTIONS (Check/specify appropriate options)

___ ZE1201-HD4-XH 4 [102] Hub and Spigot Back-to-Back Inlet (Double)

PREFIXES

- ___ ZE D.C.C.I. System with Zurn ZZ Adjustable Coupling*
- ___ ZQE D.C.C.I. System with NPT Faceplate, Non-Adjustable Coupling

SUFFIXES

- | | |
|---|---|
| ___ -A Auxiliary Support Assembly (For 'P' Dim. Greater than 18 [457]) | ___ -F Floor Mounted, Back Outlet Fixture Support |
| ___ -CC Corrosion Resistant Cast Iron Coupling (2-1/4 [57] to 12 [305]) | ___ -G Galvanized Cast Iron |
| ___ -CE EZ-Set™ Coupling (NPSM 6 [152], 12 [305] or custom) (NPT 12 [305] or custom) | ___ -M Auxiliary Foot Support (for 'P' Dim. 7 thru 18 [178 thru 457]) |
| ___ -CL Custom Length Standard Coupling with Integral Test Cap (Specify Length 4, 8, 10, 12 [102, 203, 254, 305]) | ___ -RYK17 One Piece Unistrut Pre-fab Foot |
| ___ -CS 2-1/4 [57] Polymer Coupling with Integral Test Cap (ZZ Coupling Only) | ___ -VP Vandal-Proof Trim |
| | ___ -45 Finishing Frame for Siphon Jet System |
| | ___ -50 Flush Valve Supply Support for Water Closets |

* Regularly furnished unless otherwise specified.