



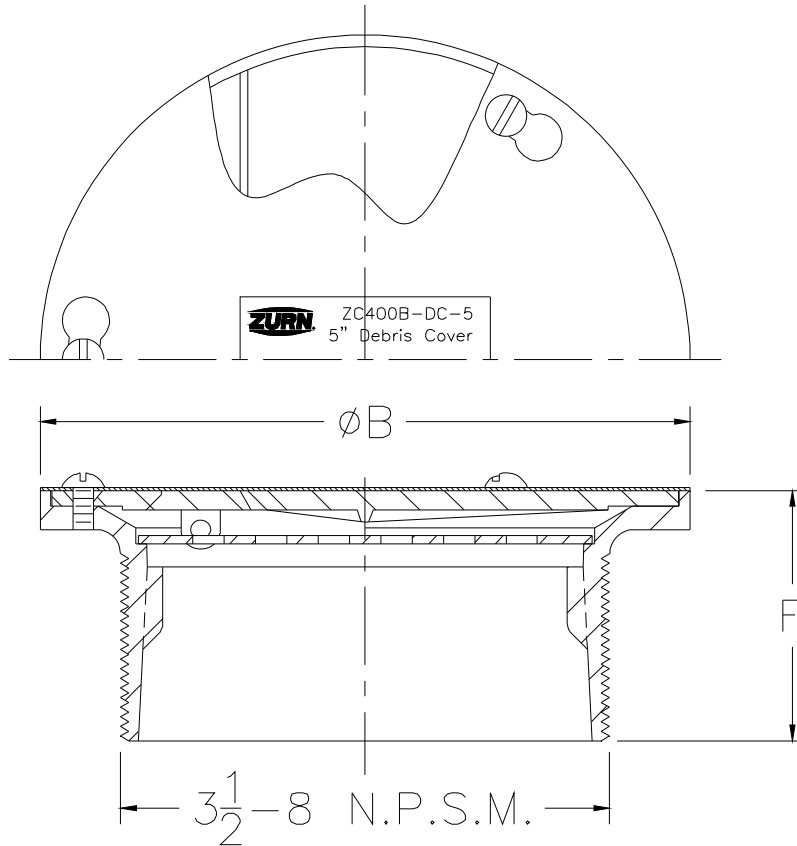
Z400D-DC

"TYPE D" ROUND STRAINER W/ SOLID HINGED COVER & DEBRIS COVER

SPECIFICATION SHEET

TAG _____

Dimensional Data (inches and [mm]) are Subject to Manufacturing Tolerances and Change Without Notice



5" Top Illustrated

Strainer Designation	Dimension in Inches		Approx. Wt. Lbs. [kg]
	Size B	Height F	
-5D	5 [127]	2 [51]	3 [1]
-6D	6 [152]	2-1/4 [57]	4 [2]
-7D	7 [178]	2-5/8 [67]	5 [2]
-8D	8 [203]	2-5/8 [67]	6 [3]

ENGINEERING SPECIFICATION: ZURN Z()400D-DC "TYPE D" round adjustable light-duty strainer top with solid hinged cover, galvanized steel construction debris cover and secondary strainer. (Specify ZB or ZN finish)

OPTIONS (Check/specify appropriate options)

PREFIXES

- ___ ZB Polished Bronze Top
- ___ ZN Polished Nickel Bronze Top

SUFFIXES

- ___ -CP Chrome Plated Bronze Top
- ___ -V Backwater Valve
- ___ -VP Vandal-Proof Secured Top
- ___ -Y Sediment Bucket

REV. - DATE: 12/08/11 C.N. NO. 122522

DWG. NO. 308221 PRODUCT NO. Z400D-DC

ZURN INDUSTRIES, LLC. ♦ SPECIFICATION DRAINAGE OPERATION ♦ 1801 Pittsburgh Ave. ♦ Erie, PA 16514

Phone: 814/455-0921 ♦ Fax: 814/454-7929 ♦ World Wide Web: www.zurn.com

In Canada: ZURN INDUSTRIES LIMITED ♦ 3544 Nashua Drive ♦ Mississauga, Ontario L4V1L2 ♦ Phone: 905/405-8272 Fax: 905/405-1292