



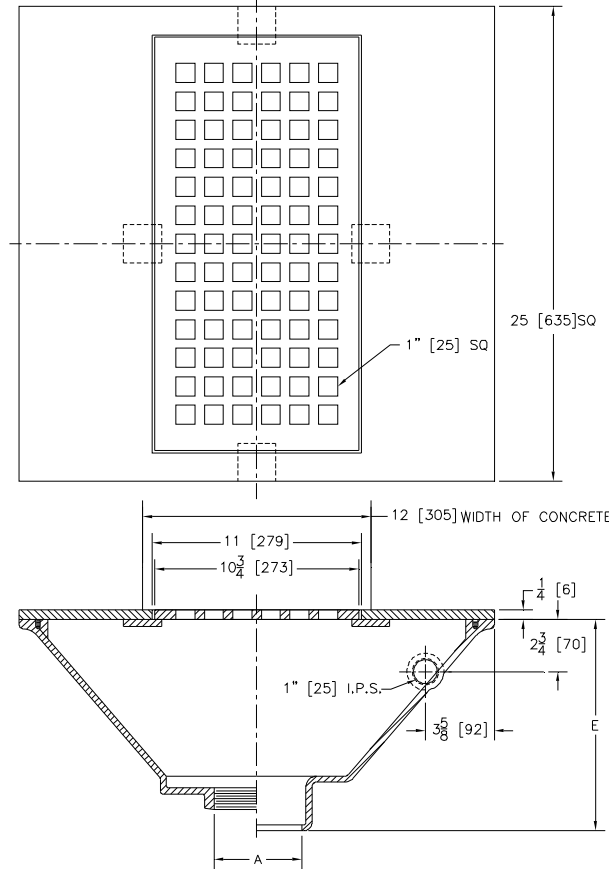
Z319-77

THOROFLUSH DRAIN LARGE CAPACITY

SPECIFICATION SHEET

TAG _____

Dimensional Data (inches and [mm]) are Subject to Manufacturing Tolerances and Change Without Notice



A-Pipe Size Inches	Approx. Wt. Lbs. [kg]	Grate Open Area Sq. In. [cm ²]
3-4-5-6-8 [76-102-127-152-203]	118 [54]	136 [877]

ENGINEERING SPECIFICATION: ZURN ZN319-77
25 [635] Large Capacity Thoroflush Drain, cast iron body with white acid resistant coating, bottom outlet, with stainless steel plate and grate.

OPTIONS (Check/specify appropriate options)

PIPE SIZE

- 3 thru 6-8 [76 thru 152-203]
- 3-4-6 [76-102-152]
- 3 thru 6-8 [76 thru 152-203]

(Specify size/type) **OUTLET**

- _____ IC Inside Caulk
- _____ IG Inside Caulk w/Sealtrol Gskt.
- _____ IP Threaded

'E' BODY HT. DIM.

- 12 1/8 [308]
- 12 1/8 [308]
- 11 [279]

PREFIXES

- _____ Z Cast Iron Body w/Acid Resistant Coating and Stainless Steel Top*

SUFFIXES

- _____ -DC Dura-coated interior
- _____ -G Galvanized Cast Iron
- _____ -P Trap Primer Connection
- _____ -V Backwater Valve (See Z1099)
- _____ -WB Water Supply Control Box (See Z1464)

REV. A	DATE: 11/15/07	C.N. NO. 97715
DWG. NO. P-13990 PRODUCT NO. Z319-77		

*REGULARLY FURNISHED UNLESS OTHERWISE SPECIFIED