



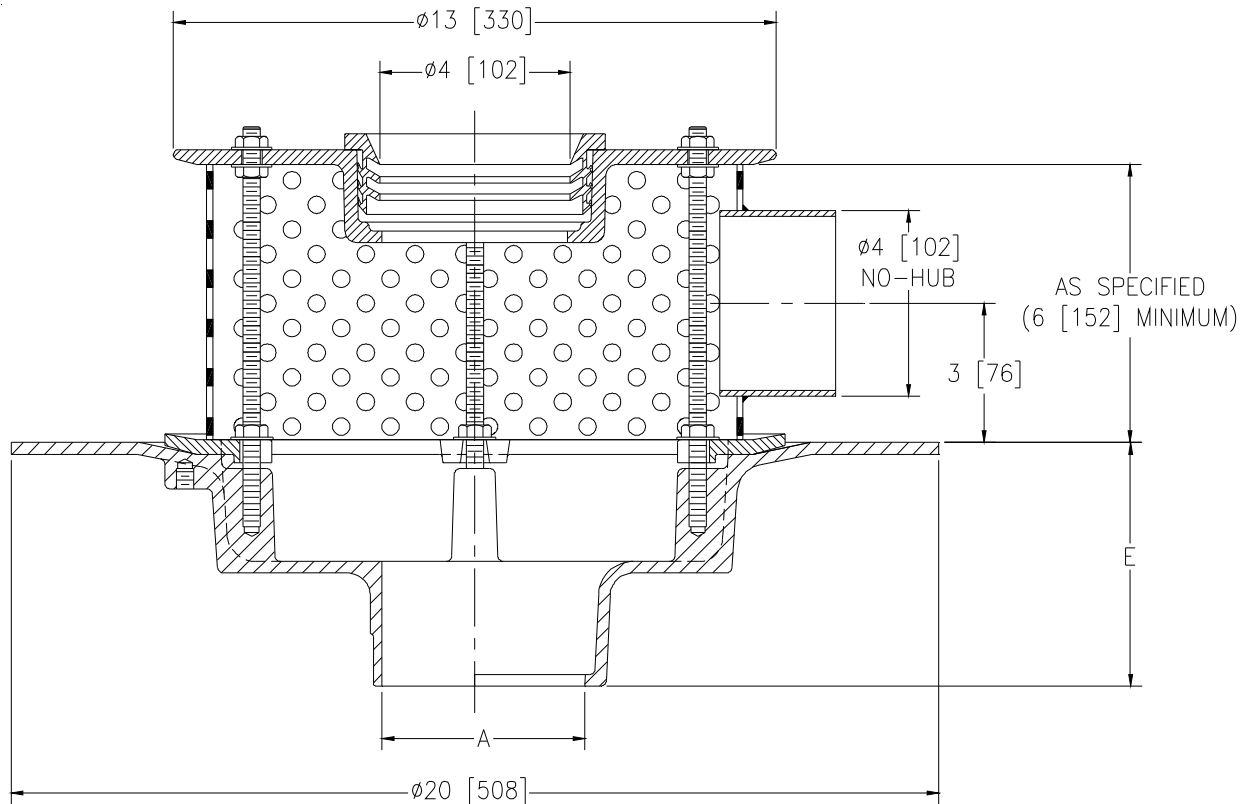
Z624-94

ISOLATION DECK DRAIN W/ STAINLESS STEEL PERFORATED EXTENSION & TOP CLAMP COLLAR

SPECIFICATION SHEET

TAG _____

Dimensional Data (inches and [mm]) are Subject to Manufacturing Tolerances and Change Without Notice



A Pipe Size	Approx. Wt. Lbs. [kg]
3,4,6,8 [76,102,152,203]	34 [15]

ENGINEERING SPECIFICATION: ZURN Z624-94

20 [506 diameter wide deck flange roof drain, Dura-Coated cast iron body, clamp collar, stainless steel perforated extension with auxiliary side No-Hub inlet (Specify height required) and flat top collar with neoprene flex gasket.

OPTIONS (Check/specify appropriate options)

PIPE SIZE

- 3, 4, 6 [76, 102, 152]
- 3, 4 [76, 102]
- 3, 4, 6, 8 [76, 102, 152, 203]

(Specify size/type) **OUTLET**

- ___ IC Inside Caulk
- ___ IP Threaded
- ___ NH No-Hub

E BODY HT. DIM.

- 5 1/4 [133]
- 5 1/4 [133]
- 5 1/4 [133]

PREFIXES

- ___ Z D.C.C.I. Body*

SUFFIXES

- ___ -C Underdeck Clamp
- ___ -G Galvanized Cast Iron
- ___ -R Sump Receiver

REV.	DATE: 06/15/09	C.N. NO. 120075
DWG. NO. P-15721	PRODUCT NO. Z624-94	

*REGULARLY FURNISHED UNLESS OTHERWISE SPECIFIED