



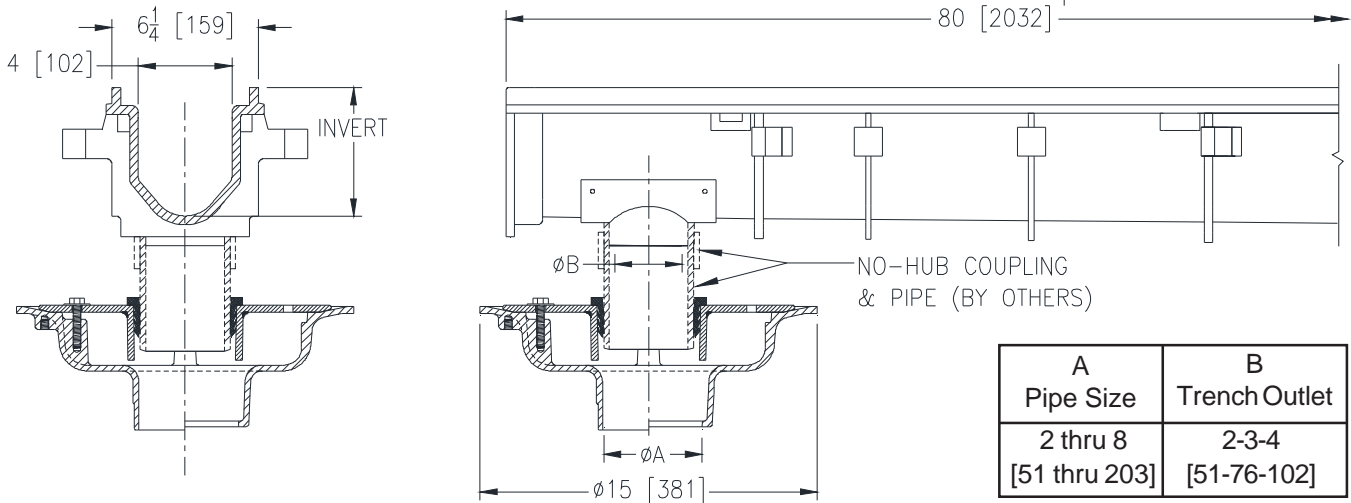
# Z886-76

## 6 [152] WIDE TRENCH DRAIN SYSTEM W/ LOWER Z624 ISOLATION DECK

SPECIFICATION SHEET

TAG \_\_\_\_\_

Dimensional Data (inches and [ mm ]) are Subject to Manufacturing Tolerances and Change Without Notice



A Pipe Size	B Trench Outlet
2 thru 8 [51 thru 203]	2-3-4 [51-76-102]

PIPE SIZE (Lower Body)	(Specify size/type)	OUTLET	'E' BODY HT. DIM.
2 thru 6,8 [51 thru 152,203]	___ C	Inside Caulk	5 1/4 [133]
2 thru 6,8 [51 thru 152,203]	___ P	Threaded	3 3/4 [95]
2 thru 6,8 [51 thru 152,203]	___ NH	No-Hub	5 1/4 [133]
2,3,4 [51,76,102]	___ NL	Neo-Loc	4 9/16 [116]
6 [152]	___ NL	Neo-Loc	5 7/16 [112]

**ENGINEERING SPECIFICATION:** Zurn Z886-76 80 [2032] x 6 [152] x 4 [102] throat (HDPE) High Density Polyethylene Trench Drain System. Trench comes complete with molded clips for rebar positioning and anchoring. 2, 3 or 4 [51, 76 or 102] No-Hub bottom outlet. Comes complete with 20 [508] long class A, B, C, D, E and F grates, Dura-Coated Cast Iron Z624 Isolation Deck.

**NO-HUB BOTTOM OUTLET SIZE (Trench)**

2 [51] _____	3 [76] _____	4 [102] _____
--------------	--------------	---------------

**\*\* For Invert/slope dimensions see standard Z886 drawing.**

**PREFIXES**

\_\_\_ Z High Density Polyethylene (HDPE) Modular Drain Channel w/ D.C.C.I. Grate, Lockdown Hardware & Lower Body Assembly\*

**SUFFIXES**

___ -AA All Acid Resisting Epoxy (Lower Body)	___ -HPB Heel-Proof Slotted Grate (Trench)
___ -AR Acid Resisting Epoxy Coated Cast Iron (Lower Body)	___ -HPD Heel-Proof Longitudinal Ductile Grate (Trench)
___ -BCD Bronze Circular Decorative Grate (Trench)	___ -HPP Heel-Proof Polyethylene Grate (Trench)
___ -BDD Bronze Diagonal Decorative Grate (Trench)	___ -HPS Heel-Proof Stainless Steel Slotted Grate (Trench)
___ -BG Galvanized Ductile Iron Bar Grate (Trench)	___ -JC Joint Connector (Trench)
___ -BZ Bronze Decorative Grate (Trench)	___ -LD Ductile Iron Longitudinal Slotted Grate (Trench)
___ -CG Cast Iron Slotted Grate (Trench)	___ -P Trap Primer Conn. (Specify 1/2 [13] or 3/4 [19]) (Lower Body)
___ -DB Dome Bottom Strainer (Trench)	___ -PG Perforated Galvanized Steel Grate (Trench)
___ -DBG Ductile Iron Cast Bar Grate (Trench)	___ -PS Perforated Stainless Steel Grate (Trench)
___ -DC Ductile Iron Solid Cover (Trench)	___ -RFG Reinforced Galvanized Steel Slotted Grate (Trench)
___ -DCD Ductile Circular Decorative Grate (Trench)	___ -RFS Reinforced Stainless Steel Slotted Grate (Trench)
___ -DDD Ductile Diagonal Decorative Grate (Trench)	___ -RPG Reinforced Galvanized Perforated Grate (Trench)
___ -DGE Ductile Iron Slotted Grate (Trench)	___ -RPS Reinforced Stainless Steel Perforated Grate (Trench)
___ -DOG Ductile Decorative Grate (Trench)	___ -SBG Stainless Steel Bar Grate (Trench)
___ -DWV Ductile Wave Decorative Grate (Trench)	___ -SCD Stainless Steel Circular Decorative Grate (Trench)
___ -E1 Closed End Cap (Trench)	___ -SDD Stainless Steel Diagonal Decorative Grate (Trench)
___ -E2 2 [51] No-Hub End Outlet (Trench)	___ -SFG Stainless Steel Frame and Slotted Grate - Class F (Trench)
___ -E3 3 [76] No-Hub End Outlet (Trench)	___ -SMG Stainless Steel Mesh Grate (Trench)
___ -E4 4 [102] No-Hub End Outlet (Trench)	___ -SOG Stainless Steel Decorative Grate (Trench)
___ -FG Galvanized Steel Slotted Grate (Trench)	___ -SVF Type 304 Stainless Steel Top Veneer Frame (Trench)
___ -FGF Ductile Iron Frame and Slotted Grate - Class F (Trench)	___ -SW 9 [229] High Sidewall Extension (Trench)
___ -FS Fabricated Stainless Steel Slotted Grate (Trench)	___ -TC Neo-Loc Test Cap Gasket (2-4 [51-102] NL Outlet Only) (Lower Body)
___ -G Galvanized Cast Iron (Lower Body)	___ -VP Vandal-Proof Center Lockdown (Trench)
___ -GC Galvanized Cast Iron Grate (Trench)	___ -90 90° Threaded Side Outlet Body (2, 3 [51, 76] Only) (Lower Body)
___ -GDE Galvanized Ductile Iron Grate (Trench)	
___ -GFG Galvanized Ductile Frame & Slotted Grate - Class F (Trench)	
___ -GG Fiberglass Grate (Trench)	
___ -GMG Galvanized Steel Mesh Grate (Trench)	
___ -H Cast Iron Non-Removable Grate/Frame System - H20/H25 (Trench)	
___ -HH Cast Iron Non-Removable Heel-Proof Grate/Frame System H20/H25 (Trench)	

\*REGULARLY FURNISHED UNLESS OTHERWISE SPECIFIED

REV. A      DATE: 09/03/13      C.N. NO. 129875

PROD. NO./DWG. NO. Z886-76

ZURN INDUSTRIES, LLC, FLO-THRU DIV., 2640 South Work Street, Falconer, NY 14733

Phone: 716/665-1132, Fax: 716/665-1135, World Wide Web: www.zurn.com

In Canada: ZURN INDUSTRIES LIMITED, 3544 Nashua Drive, Mississauga, Ontario L4V1L2, Phone: 905/405-8272 Fax: 905/405-1292