



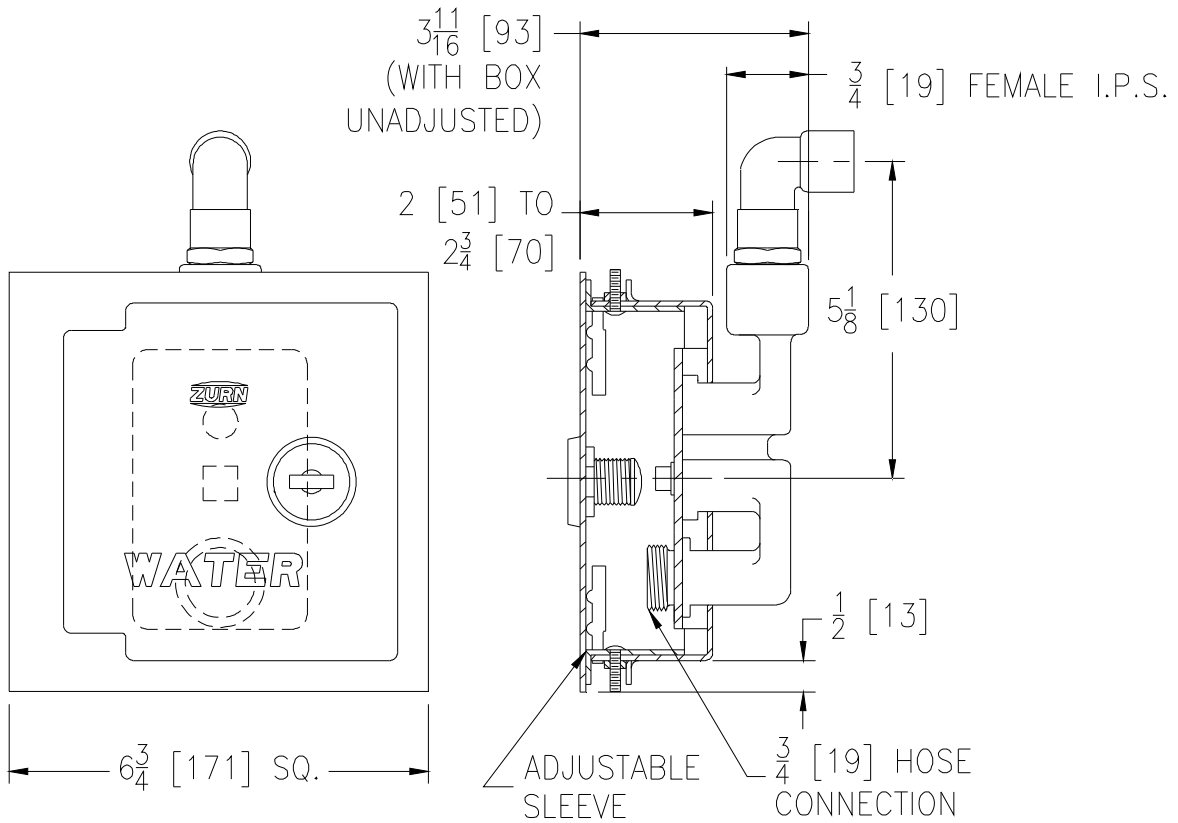
Z1350-34EL

NARROW WALL HYDRANT - Encased, Moderate Climate with 3/4 [19] 90° Inlet Elbow Adapter

SPECIFICATION SHEET

TAG _____

Dimensional Data (inches and [mm]) are Subject to Manufacturing Tolerances and Change Without Notice



Wall Thickness Inches	Approx. Wt. Lbs. [kg]
4 [102]	4 [2]

ENGINEERING SPECIFICATION: ZURN Z1350-34EL
 Encased moderate climate wall hydrant for narrow wall installation. Complete with bronze body, all bronze interior parts, replaceable seat washer, screwdriver operated stop valve in supply, key operated control valve, 3/4 [19] male hose connection and 3/4 [19] 90° inlet elbow adapter. Adjustable stainless steel box furnished with hinged cover, cylinder lock and "WATER" stamped on cover.

OPTIONS (Check/specify appropriate options)

SUFFIXES

- ____ -RK Hydrant Parts Repair Kit
- ____ -VB 3/4 [19] Adapter Vacuum Breaker

****NOTE:** The adjustable sleeve on the stainless steel box is provided with a gasket as standard, but, additional caulking of all inside joints is required (by others) after the hydrant box has been properly set. Caulking should be performed on all open seams, including the seams where the gasket is present.

REV.	DATE: 7/13/10	C.N. NO. 111372
DWG. NO. 301270		PRODUCT NO. Z1350-34EL