



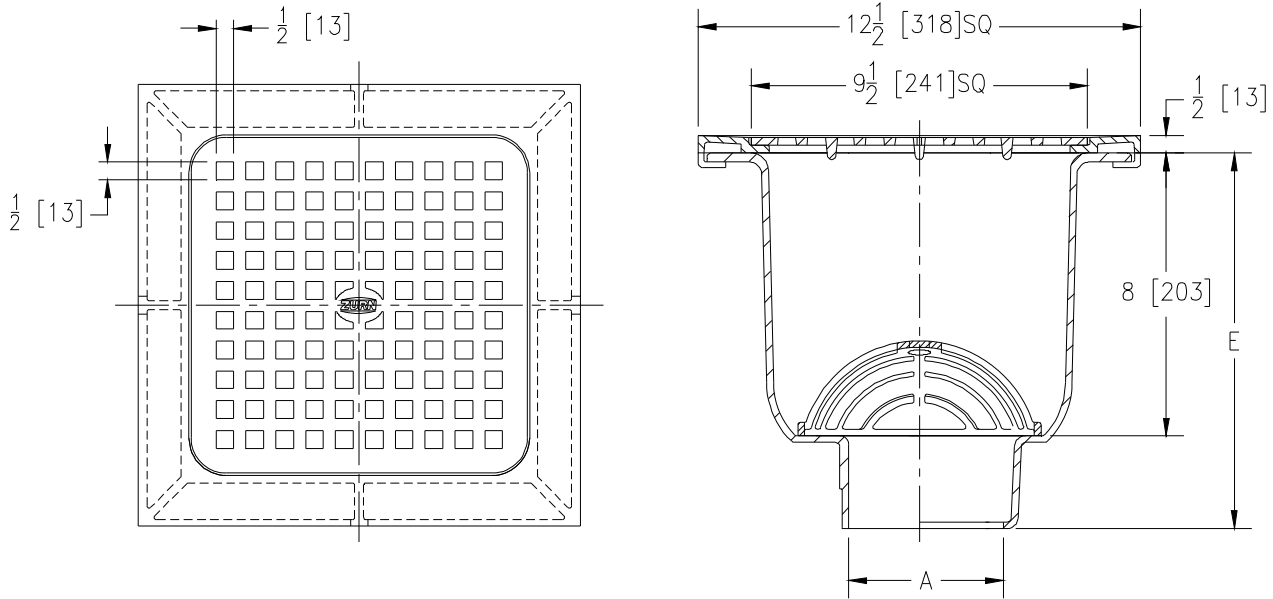
ZN1901-88

12 1/2 X 12 1/2 [318 X 318] A.R.E. SANI-FLOOR
RECEPTOR W/ 8 [203] SUMP DEPTH AND
NICKEL BRONZE FRAME AND GRATE

SPECIFICATION SHEET

TAG _____

Dimensional Data (inches and [mm]) are Subject to Manufacturing Tolerances and Change Without Notice



A- Pipe Size In.	Approx Wt. Lbs. [kg]	Grate Open Area Sq. In. [cm ²]
2-3-4 [51-76-102]	34 [15]	31 [200]

ENGINEERING SPECIFICATION: ZURNZN1901-88

Sani-Floor Receptor 12 1/2 x 12 1/2 x 8 [318 x 318 x 203] deep cast iron body with white acid resisting porcelain enamel interior, nickel bronze frame and grate, complete with white ABS anti-splash interior bottom dome strainer.

OPTIONS (Check/specify appropriate options)

PIPE SIZE

- 2, 3, 4 [51, 76, 102]
- 2, 3, 4 [51, 76, 102]
- 2, 3, 4 [51, 76, 102]

(Specify size/type) OUTLET

- _____ IC Inside Caulk
- _____ NH No-Hub
- _____ NL Neo-Loc

'E' DIMENSION

- 11 1/8 [283]
- 11 1/8 [283]
- 10 1/2 [267]

PREFIXES

_____ ZN Cast Iron Body with White A.R.E. Interior, 12 1/2 [314] Square N.B. Frame and Full Grate with 1/2 [13] Square Openings.*

SUFFIXES

- | | | | |
|------------|---|-----------|---|
| _____ -K | Anchor Flange with Seepage Holes | _____ -32 | Aluminum Dome Strainer |
| _____ -KC | Anchor Flange with Seepage Holes and Clamp Collar | _____ -33 | White A.R.C. Anti-Splash Bottom Dome Strainer |
| _____ -LD | Less Bottom Dome Strainer | _____ -34 | N.B. Anti-Splash Bottom Dome Strainer |
| _____ -LSH | Less Seepage Holes | | |
| _____ -P | 1/2 [13] Trap Primer Connection (See Z1023) | | |
| _____ -SA | Stabilizer Assembly (See Z1903) | | |
| _____ -TC | Neo-Loc Test Cap Gasket (2 [51]-4 [102] NL Bottom Outlet Only) | | |
| _____ -1 | Less Grate | | |
| _____ -5 | Grate w/ 4 [102] dia. x 3 3/4 [95] High Funnel | | |
| _____ -6 | Grate w/ 6 [152] dia. x 6 [152] High Funnel | | |
| _____ -7 | Grate w/ 6 3/4 x 3 x 1 [171 x 76 x 25] High Oval Funnel | | |
| _____ -8 | Grate w/ 8 7/8 x 3 5/8 x 3 3/4 [225 x 92 x 95] High Oval Funnel | | |
| _____ -11 | Vandal-Proof Secured Top | | |
| _____ -23 | Aluminum Bucket | | |
| _____ -25 | White A.R.C. Bucket | | |
| _____ -31 | Stainless Steel Mesh Liner for Bucket | | |

*REGULARLY FURNISHED UNLESS OTHERWISE SPECIFIED

REV. DATE: 9/18/09 C.N. NO. 110228

DWG. NO. P-15763 PRODUCT NO. ZN1901-88

ZURN INDUSTRIES, LLC. ♦ SPECIFICATION DRAINAGE OPERATION ♦ 1801 Pittsburgh Ave. ♦ Erie, PA 16514

Phone: 814455-0921 ♦ Fax: 814454-7929 ♦ World Wide Web: www.zurn.com

In Canada: ZURN INDUSTRIES LIMITED ♦ 3544 Nashua Drive ♦ Mississauga, Ontario L4V1L2 ♦ Phone: 905405-8272 Fax: 905405-1292