



# Z1810-12B-75

## 12 [305] DIAMETER ROUND INDUSTRIAL FLOOR DRAIN WITH ADJUSTABILITY, GAS TIGHT SOLID COVER, VACUUM HANDLE, & THREADED OUTLET

SPECIFICATION SHEET

TAG \_\_\_\_\_

Dimensional Data (inches and [ mm ]) are Subject to Manufacturing Tolerances and Change Without Notice

### Engineering Specification: ZURN Z1810-12B-75

12" [305mm] Diameter, 18 gage, all type 304 (CF8) stainless steel round industrial floor drain with extra-heavy-duty gas tight solid cover, adjustable reinforced top frame with o-ring seal and securing clamp, perforated removable sediment bucket with lift handle, pre-sloped bottom sump, and pre-pour stabilizing anchor tabs. Complete with removable vacuum handle

Approx. Wt.
Lbs. [kg]
18 [8]

### Options (Check/specify appropriate options)

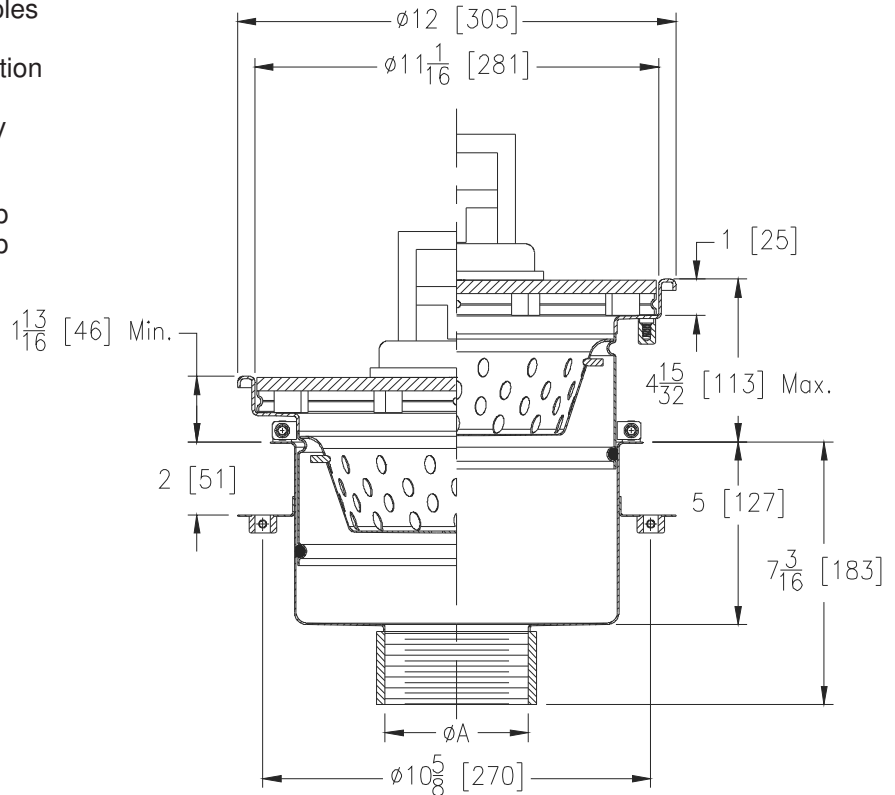
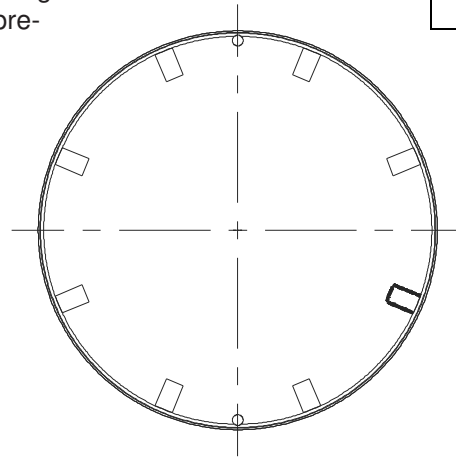
**Pipe Size (ØA)** (Specify size/type) **Outlet**  
3,4,6 [76,102,152] \_\_\_\_\_ IP Threaded NPT

### Prefixes

- \_\_\_ Z Type 304 (CF8) Stainless Steel\*
- \_\_\_ ZM Type 316 (CF8M) Stainless Steel

### Suffixes

- \_\_\_ -B Bell Trap/Solid Sediment Bucket
- \_\_\_ -KC Anchor Flange w/Seepage Holes and Clamp Collar
- \_\_\_ -P  $\varnothing 1/2$  [13] Trap Primer Connection
- \_\_\_ -SA Stabilizer Assembly (Z1036)  
3 [76] and 4 [102] outlets only
- \_\_\_ -TS Top Secured Gate
- \_\_\_ -3PT 3 [76] Stainless Steel P-Trap
- \_\_\_ -4PT 4 [102] Stainless Steel P-Trap
- \_\_\_ -6PT 6 [152] Stainless Steel P-Trap



\* Regularly furnished unless otherwise specified.