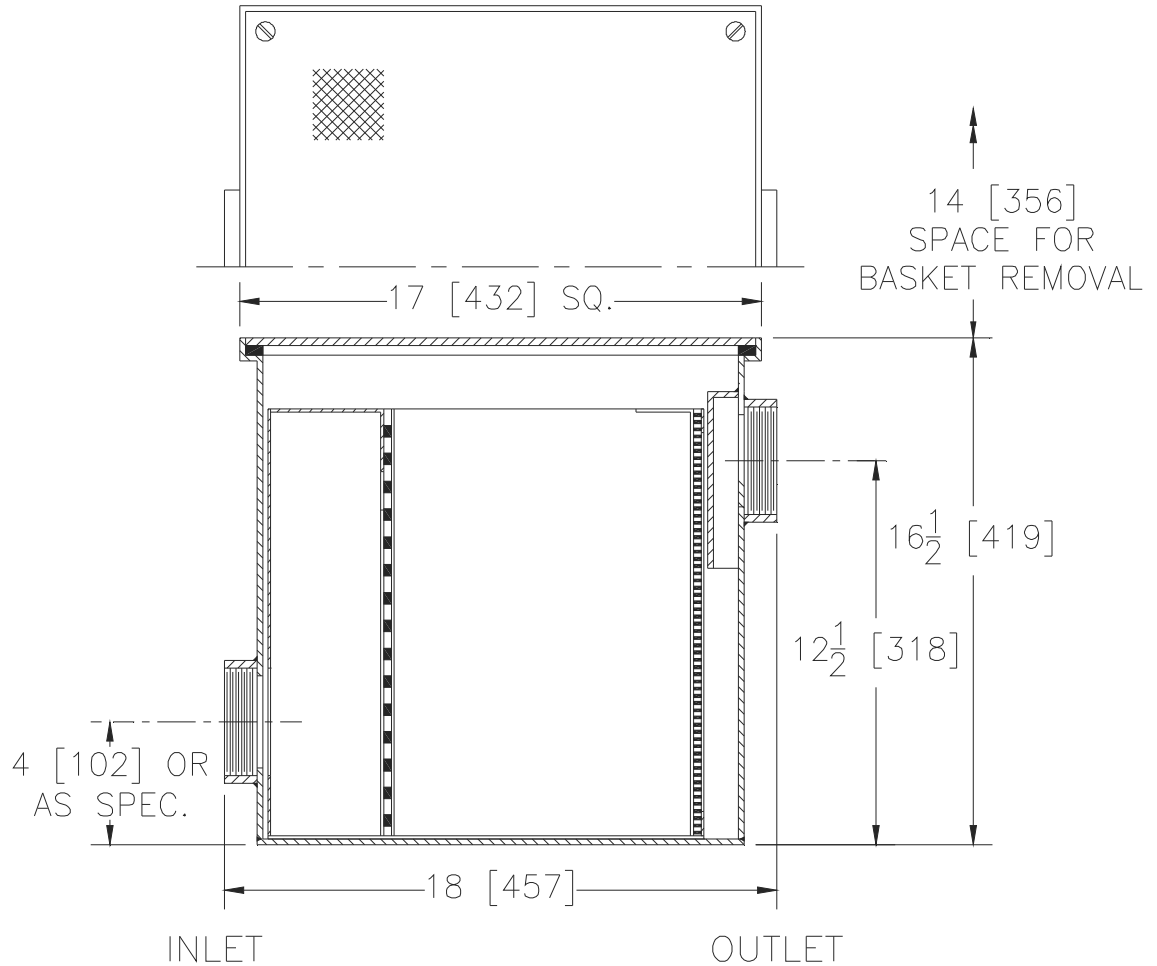




Z1181-102

SOLIDS INTERCEPTOR FOR ANIMAL HAIR APPLICATIONS TAG _____

Dimensional Data (inches and [mm]) are Subject to Manufacturing Tolerances and Change Without Notice



Inlet/Outlet Inches [mm]	Flow Rate GPM [LPM]	Approx. Wt. Lbs. [kg]
4 [102]	100 [379]	42[19]

ENGINEERING SPECIFICATION: ZURNZ1181-102

Large capacity Acid Resistant Coated interior and exterior fabricated steel solids interceptor, in lieu of fixture 'P' trap, for on-floor or flush with floor installation. Furnished with a removable Acid Resistant Coated fabricated steel bucket having removable primary and secondary flow diffusing/intercepting brass screens (3/32" [2mm] dia. holes), for animal hair applications and complete with a top access gasketed secured cover. Regularly furnished with 4" [102mm] low inlet and high outlet**.

OPTIONS (ChecPk/specify appropriate options)

PREFIXES

___ Z Standard Assembly* (See Engineering Specification)

SUFFIXES

- ___ -R Acid Resistant Coated Interior and Exterior Fabricated Steel Recessing Receiver for Recessed Installation is equipped with Adjustable Support Brackets and Gasketed Non-Skid Secured Cover with Covered Recessed Lift Handle
- ___ -SA Stainless Steel Perforated Screens for Bucket, sized for Animal Hair Applications (3/32 [2] dia. holes)
- ___ -YA Replacement Basket Assembly with Special Perforated Screens, sized for Animal Hair Applications

* Regularly furnished unless otherwise specified.