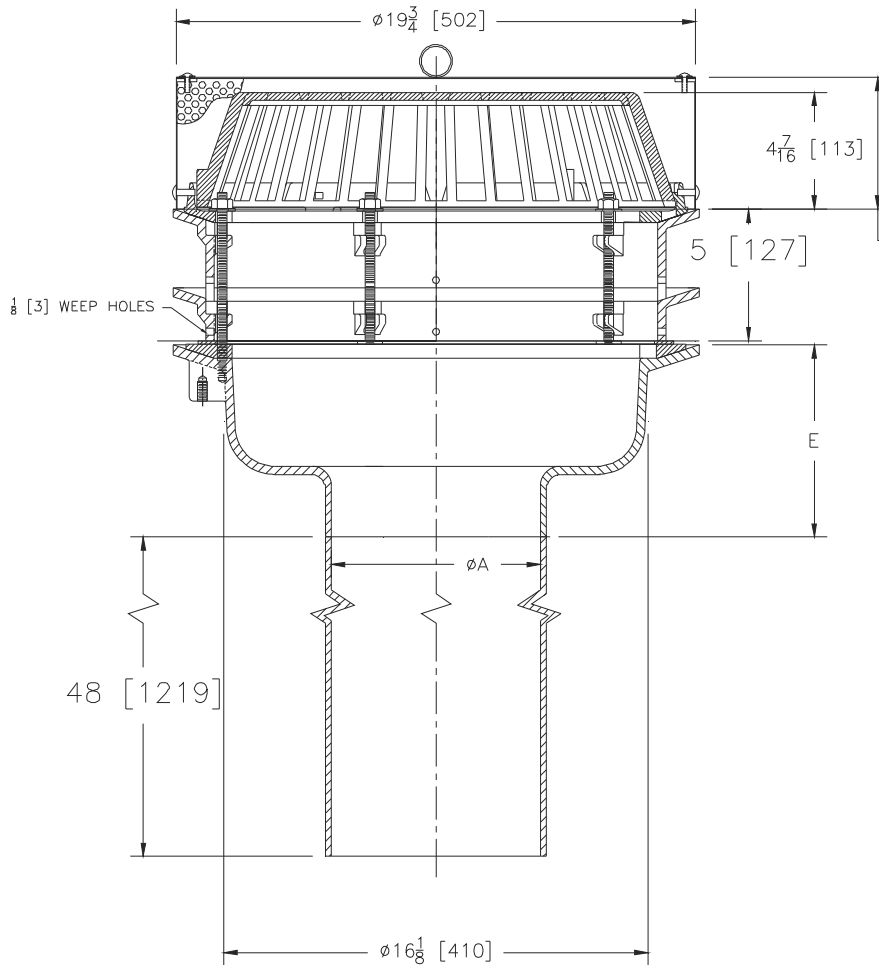




Z101-103

Ø20 [508] MAIN GREEN ROOF DRAIN W/ 5 [127] STATIC EXTENSION, SECONDARY CLAMP COLLAR, 48 [1219] EXTENDED OUTLET, LOW SPECIFICATION SHEET SILHOUETTE DOME W/ PERFORATED SCREEN, AND REMOVABLE COVER W/ LIFT HANDLE TAG _____

Dimensional Data (inches and [mm]) are Subject to Manufacturing Tolerances and Change Without Notice



5 [127] HEIGHT PROVIDED AS STANDARD. USE -PS SUFFIX TO SPECIFY ALTERNATIVE HEIGHTS OF 6 [152] THRU 18 [457]

A Pipe Size In [mm]	Approx. Wt. Lbs [kg]	Dome Open Area In ² [cm ²]
8 [203]	110 [50]	216 [1394]
10 [254]	111 [50]	
12 [305]	112 [51]	

ENGINEERING SPECIFICATION: ZURN Z101-103

20" [508mm] Diameter roof drain. Dura-Coated cast iron body with combination membrane flashing clamp/gravel guard, secondary clamp collar, and low silhouette dome. Complete with 5" [127mm] static extension, 48" [1219mm] extended outlet and secured type 304 (CF8) stainless steel perforated screen assembly with removable access cover with lift handle.

PIPE SIZE

8,10,12[203,254,305]

(Specify size/type) OUTLET

_____ NH No-Hub

E BODY HT. DIM.

7-5/16[185]

PREFIXES

_____ Z D.C.C.I. Body with Cast Iron Dome*

SUFFIXES

_____ -PS Perforated Screen 6 [152] thru 18 [457]
(Specify Height Required)
_____ -W2 2 [51] Internal Water Dam
_____ -W3 3 [76] Internal Water Dam
_____ -W4 4 [102] Internal Water Dam

* Regularly furnished unless otherwise specified.