



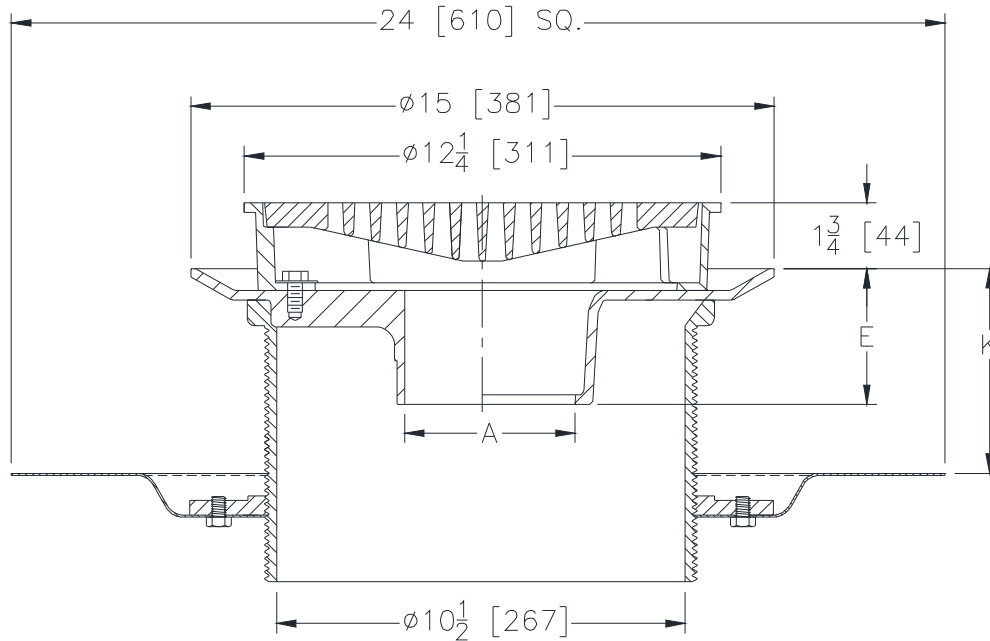
Z504-86

12 [305] HEAVY-DUTY DRAIN WITH TOP-SET® DRAIN RISER

SPECIFICATION SHEET

TAG _____

Dimensional Data (inches and [mm]) are Subject to Manufacturing Tolerances and Change Without Notice



A Pipe Size In. [mm]	K		Approx. Wt. Lbs. [kg]	Grate Open Area Sq. In. [cm ²]
	Min.	Max.		
2,3,4 [51,76,102]	2-3/16	6-13/16	63 [29]	30 [194]
5,6 [125,152]	[56]	[173]	64 [29]	

ENGINEERING SPECIFICATION: ZURN Z504-86 12" [305mm] Diameter top drain-Dura-Coated cast iron body with bottom outlet, seepage pan and combination membrane flashing clamp and frame for heavy-duty slotted grate. Complete with Top-Set® drain riser, drain riser flange, and top set deck plate.

OPTIONS (Check/specify appropriate options)

PIPE SIZE

- 3,4,6 [76,102,152]
- 3,4,6 [76,102,152]
- 3,4,6 [76,102,152]
- 3,4,6 [76,102,152]
- 3,4 [76,102]

(Specify size/type) **OUTLET**

- ___ IC Inside Caulk
- ___ IG Inside Gasket
- ___ IP Threaded
- ___ NH No-Hub
- ___ NL Neo-Loc

'E' BODY HT. DIM.

- 3-1/2 [89]
- 3-1/2 [89]
- 3-1/2 [89]
- 3-1/2 [89]
- 2-5/8 [67]

PREFIXES

- ___ Z D.C.C.I. Body and Top*
- ___ ZB D.C.C.I. Body with Polished Bronze Top (Add 3/16 [5] to 1-3/4 [44] Dim. and 3/4 [20] to 12-1/4 [311] Dim.)
- ___ ZN D.C.C.I. Body with Polished Nickel Bronze Top (Add 3/16 [5] to 1-3/4 [44] Dim. and 3/4 [20] to 12-1/4 [311] Dim.)

SUFFIXES

- | | |
|---|---|
| ___ -AR Acid Resisting Epoxy Coated Cast Iron | ___ -S Secondary Strainer |
| ___ -D Dome Grate | ___ -SC Solid Cover |
| ___ -DG Duresist Grate | ___ -T Square Top (Add 7/16 [11] to 1 3/4 [44] Dim.) |
| ___ -F Extension Frame
(Specify Total Height Req'd.) | ___ -TC Neo-Loc Test Cap Gasket
(3,4 [76,102] NL Bottom Outlet Only) |
| ___ -G Galvanized Cast Iron | ___ -TS Top Secured with Slotted Screws |
| ___ -H Hinged Grate | ___ -V Backwater Valve (See Z1099) |
| ___ -HP Heel-Proof Grate | ___ -VP Vandal-Proof Secured Top |
| ___ -HT Square Hinged Grate | ___ -Y Sediment Bucket |
| ___ -P Trap Primer Connection | |

* Regularly furnished unless otherwise specified.