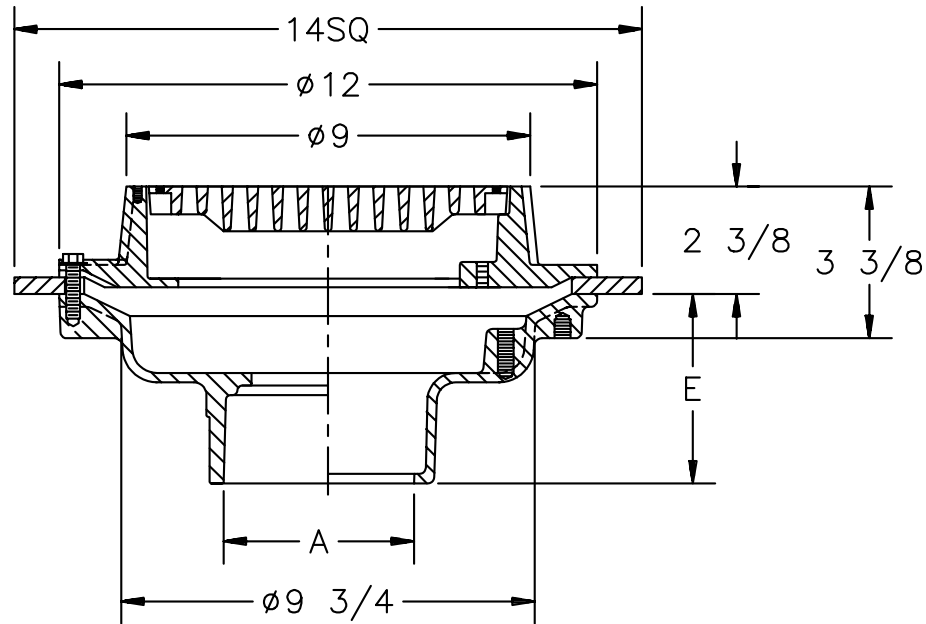




Z-550-88
9" DIAMETER MEDIUM DUTY DRAIN
WITH STEEL SUPPORT FLANGE

TAG _____



A- Pipe Size In.	Approx. Wt. Lbs.	Grate Open Area Sq. In.
2-3-4	16	14

ENGINEERING SPECIFICATION: ZURN Z-550-88 9" Diameter top drain, Dura-Coated cast iron body with bottom outlet, frame and medium duty cast iron anti-tilt slotted grate with 3/8 thick galvanized steel support flange.

OPTIONS (Check/specify appropriate options)

OUTLET (Specify type)

- _____ **IC** Inside Caulk
- _____ **IG** Inside Caulk w/Sealtrol Gskt.
- _____ **IP** Threaded
- _____ **NH** No-Hub
- _____ **NL** Neo-Loc

PIPE SIZE (Specify size)

- _____ 2",3",4"
- _____ 2",3",4"
- _____ 2",3",4"
- _____ 2",3",4"
- _____ 2",3",4"

'E' BODY HT. DIMENSION

- 3-3/4"
- 3-3/4"
- 2-3/4"
- 4-3/4"
- 3-1/2"

PREFIXES

- _____ **Z-** D.C.C.I. Body and Grate*
- _____ **ZB-** D.C.C.I. Body with Polished Bronze Grate (Add 3/16" to 2-3/8 Dim.)
- _____ **ZN-** D.C.C.I. Body with Polished Nickel Bronze Grate (Add 3/16" to 2-3/8 Dim.)

SUFFIXES

- | | |
|---|---|
| <ul style="list-style-type: none"> _____ -AR Acid Resisting Epoxy Coated Interior _____ -D Dome Grate _____ -DF Deflector Grate _____ -DG Duresist Grate _____ -G Galvanized Cast Iron _____ -GG Galvanized Grate _____ -P Trap Primer Connection _____ -S Secondary Strainer _____ -SS Stainless Mesh Liner for Bucket _____ -T Square Top | <ul style="list-style-type: none"> _____ -TG Tractor Grate _____ -V Backwater Valve (See Z-1099) _____ -VP Vandal Proof Secured Top _____ -Y Sediment Bucket _____ -90 90° Threaded Side Outlet Body (2" thru 4") |
|---|---|

*REGULARLY FURNISHED UNLESS OTHERWISE SPECIFIED

REV.	DATE: 12/20/94	C.N. NO. 70518
DWG. NO. P-14123 PRODUCT NO. Z-550-88		