



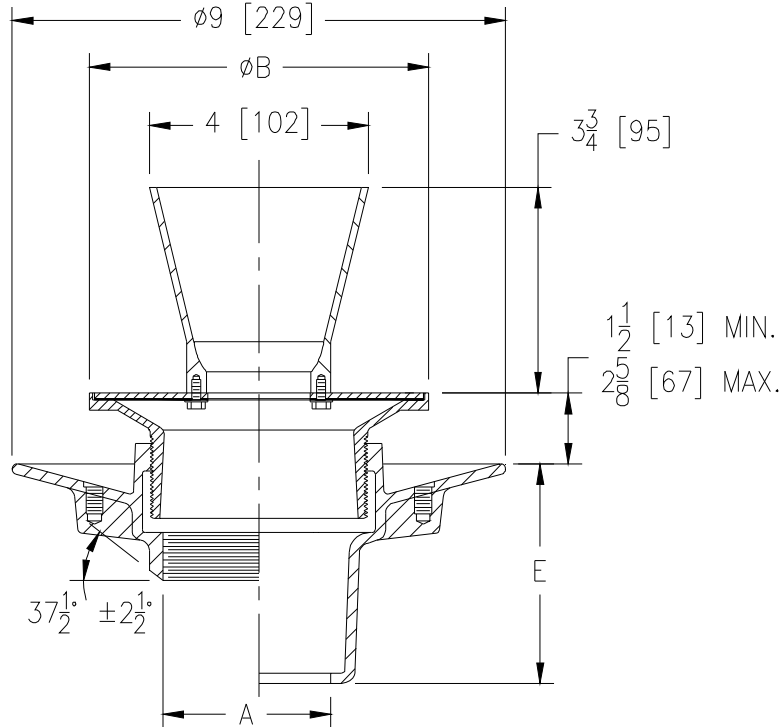
Z1726-91

ADJUSTABLE FLOOR DRAIN WITH SOLID GASKETED COVER AND FUNNEL

SPECIFICATION SHEET

TAG _____

Dimensional Data (inches and [mm]) are Subject to Manufacturing Tolerances and Change Without Notice



Dimensions In Inches		Approx. Wt. Lbs. [kg]
A Pipe Size	B Strainer Dia.	
2-3 [51-76]	5 [127]	16 [7]
2-3-4 [51-76-102]	6 [152]	16 [7]
2-3-4 [51-76-102]	7 [178]	17 [8]
3-4-6 [76-102-152]	8 [203]	19 [9]
6 [152]	10 [254]	22 [10]

ENGINEERING SPECIFICATION: ZURNZ1726-91

All Type 304 (CF8) stainless steel adjustable floor drain with anchor flange (clamp collar with seepage holes, when specified), and 6 [152] diameter vertically adjustable, solid, gasketed cover with center opening for funnel.

OPTIONS (Check/specify appropriate options)

PIPE SIZE

2-3-4-6 [51-76-102-152]

2-3-4 [51-76-102]

2-3-4 [51-76-102]

(Specify size/type) OUTLET

___ BW Butt-weld
(Specify Schedule 10, 40 or 80)

___ IC Inside Caulk

___ IP Threaded

'E' BODY HT. DIM.

2-7/8 [73]

4-3/8 [111]

2-7/8 [73]

PREFIXES

- ___ Z Type 304 (CF8) Stainless Steel Body*
- ___ ZM Type 316 (CF8M) Stainless Steel Body
- ___ ZL Type 316L (CF3M) Stainless Steel Body

SUFFIXES

- ___ -K Seepage Holes Only
- ___ -KC Clamp Collar with Seepage Holes
- ___ -RD5 5 [127] Diameter Type 304 Stainless Steel Top
- ___ -RD7 7 [178] Diameter Type 304 Stainless Steel Top
- ___ -RD8 8 [203] Diameter Type 304 Stainless Steel Top
- ___ -RD10 10 [254] Diameter Type 304 Stainless Steel Top
- ___ -V Bronze Backwater Valve
- ___ -VP Vandal-Proof Secured Top
- ___ -Y Stainless Steel Sediment Bucket

* Regularly furnished unless otherwise specified.