



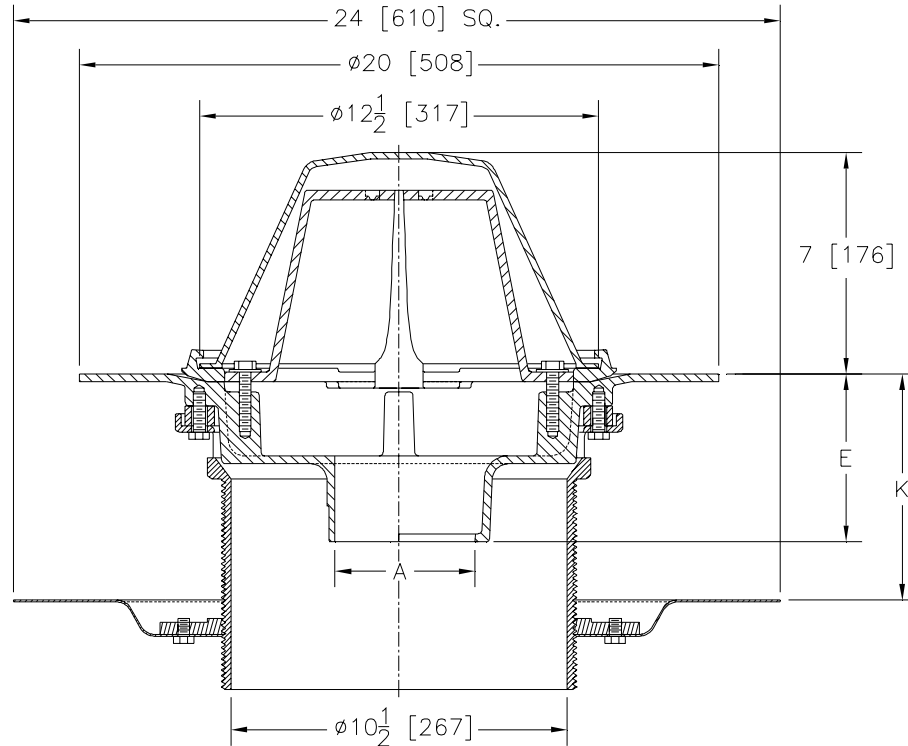
Z105-85
20 [508] WIDE DECK FLANGE
CONTROL-FLO ROOF DRAIN
W/PARABOLIC WEIR AND TOP-SET® DRAIN RISER

SPECIFICATION SHEET

TAG _____



Dimensional Data (inches and [mm]) are Subject to Manufacturing Tolerances and Change Without Notice



A Pipe Size In.	K		Approx. Wt. Lbs. [kg]	Dome Open Area Sq. In. [cm ²]
	Min.	Max.		
3-4 [76-102]	2 7/8 [73]	8 3/4 [222]	64 [29]	148 [955]
6-8 [152-203]				

ENGINEERING SPECIFICATION: ZURN Z105-85
 20 [508] Diameter wide deck flange "Control-Flo" roof drain for dead-level construction, Dura-Coated cast iron body, Control-Flo weir shall be linear functioning with integral membrane flashing clamp/gravel guard, Poly-Dome, top-set® drain riser, drain riser flange, and top-set® deck plate. All data shall be verified proportional to flow rates.

OPTIONS (Check/specify appropriate options)

PIPE SIZE

3,4,6 [76,102,152]
 3,4,6,8 [76,102,152,203]

(Specify size/type) **OUTLET**

_____ IC Inside Caulk
 _____ NH No-Hub

E BODY HT. DIM.

5 1/4 [133]
 5 1/4 [133]

PREFIXES

___ Z D.C.C.I. Body with Poly-Dome*
 ___ ZA D.C.C.I. Body with Aluminum Dome

SUFFIXES

___ -AR Acid Resistant Epoxy Coated Finish
 ___ -E Static Extension 1 [25] thru 4 [102] (Specify Ht.)
 ___ -EA Adjustable Extension Assembly
 1 3/4 [44] thru 3 1/2 [89]
 ___ -G Galvanized Cast Iron
 ___ -VP Vandal-Proof Secured Top

REV.	DATE: 6/9/06	C.N. NO. 95195
DWG. NO. P-15294 PRODUCT NO. Z105-85		

*REGULARLY FURNISHED UNLESS OTHERWISE SPECIFIED