



Z886-HDD-SW2

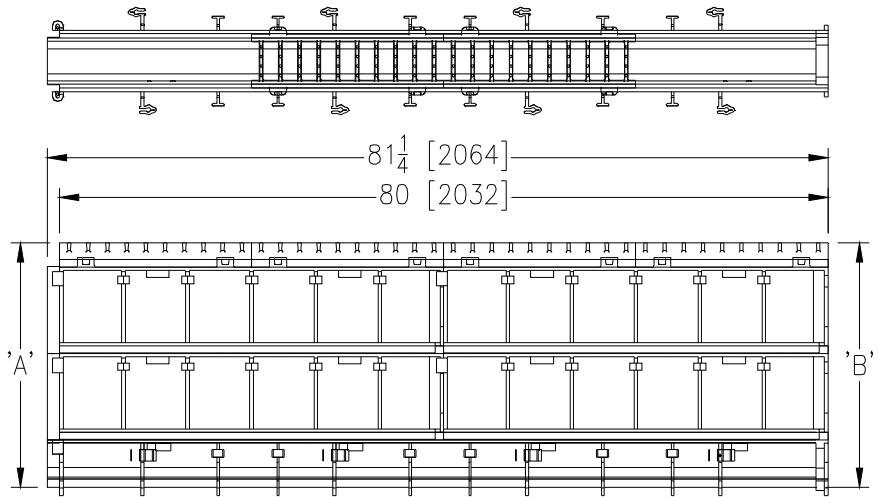
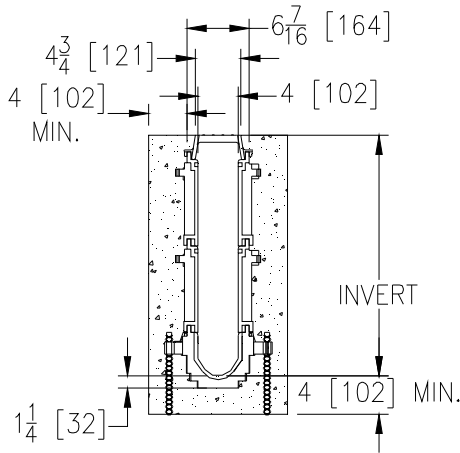
4 3/4 [121] WIDE REVEAL TRENCH DRAIN SYSTEM WITH DOMESTIC DUCTILE IRON GRATE AND TWO 9 [229] SIDEWALL EXTENSIONS

SPECIFICATION SHEET

TAG _____

Dimensional Data (inches and [mm]) are Subject to Manufacturing Tolerances and Change Without Notice

SPECIFYING ENGINEER IS RESPONSIBLE FOR CONCRETE ENCASEMENT AND REINFORCING BASED UPON APPLICATION AND LOCAL CODES



NOTE: + Actual Channel length is 81 1/4 [2064] to allow for overlap.

ENGINEERING SPECIFICATION: Zurn Z886-HDD-SW2 Channels shall be 80 [2032] long, 4 3/4 [121] wide reveal and have a 4 [102] throat. Modular channel sections shall be made of 0% water absorbent High Density Polyethylene (HDPE). Shall have a positive mechanical connection between channel sections that will not separate during the installation and shall mechanically lock into the concrete surround a minimum of every 10 [254]. Channels shall weigh less than 2.31 lbs.[1.05kg] per linear foot, have a smooth, 1 1/2 [38] radiused self cleaning bottom with a Manning's coefficient of 0.009 and 0.75% or neutral 0% built in slope. Channels shall have rebar clips standard to secure trench in its final location. Channels shall have HDPE SW2 Side Walls attached for an additional 18 [457] added to the standard channel invert for additional flow capability shown in chart below. Shall be provided with standard HDD grates that lock into the concrete surround during installation and is intended for dynamic traffic loadings. Zurn 4 3/4 [121] wide reveal Highway Domestic Ductile Iron slotted grate conforming to ASTM specification A536-84, Grade 80-55-06. The un-coated ductile iron grate is rated class C per the DIN EN1433 top load classifications. Supplied in 20 [508] nominal lengths with 1 5/8 [41] wide slots, and 2 1/2 [64] bearing depth. Grate has an open area of 39.22 sq. in per ft. [83,016 sq. mm per meter]. System is Made in the USA.

PREFIX OPTIONS (Check/specify appropriate options)

___ Z Six-foot, Eight-inch High Density Polyethylene (HDPE)*

SUFFIX OPTIONS (Check/specify appropriate options)

Outlet Adapters Add/Each

- ___ -E1 Closed End Cap
- ___ -E2 2 [51] No-Hub End Outlet
- ___ -E3 3 [76] No-Hub End Outlet
- ___ -E4 4 [102] No-Hub End Outlet
- ___ -E6 6 [152] No-Hub End Outlet
- ___ -U2 2 [51] No-Hub Bottom Outlet
- ___ -U3 3 [76] No-Hub Bottom Outlet
- ___ -U4 4 [102] No-Hub Bottom Outlet
- ___ -U6 6 [152] No-Hub Bottom Outlet

Grate Options (Load Classifications are per DIN EN1433)

- ___ -GHDD Galvanized Highway Ductile Domestic Grate - Class C
- ___ -HR Ductile Iron Removable Grate/Frame System -H20/H25 - Class C

Miscellaneous Options

- ___ -JC Joint Connector

Trench No.	'A' Shallow Inv.	'B' Deep Inv.	Flow		
			(cfs)	(gpm)	(lps)
8601SW2	23.22 [590]	23.82 [605]	2.33	1045	66
8602SW2	23.82 [605]	24.42 [620]	2.40	1078	68
8603SW2	24.42 [620]	25.02 [636]	2.47	1110	70
8603NSW2	25.02 [636]	25.02 [636]	-	-	-
8604SW2	25.02 [636]	25.62 [651]	2.55	1142	72
8605SW2	25.62 [651]	26.22 [666]	2.62	1175	74
8606SW2	26.22 [666]	26.82 [681]	2.69	1207	76
8606NSW2	26.82 [681]	26.82 [681]	-	-	-
8607SW2	26.82 [681]	27.42 [696]	2.76	1239	78
8608SW2	27.42 [696]	28.02 [712]	2.83	1272	80
8609SW2	28.02 [712]	28.62 [727]	2.91	1304	82
8610SW2	28.62 [727]	29.22 [742]	2.98	1336	84
8611SW2	29.22 [742]	29.82 [757]	3.05	1369	86
8612SW2	29.82 [757]	30.42 [773]	3.12	1401	88
8612NSW2	30.42 [773]	30.42 [773]	-	-	-
8613SW2	30.42 [773]	31.02 [788]	3.19	1433	90
8614SW2	31.02 [788]	31.62 [803]	3.27	1466	92
8615SW2	31.62 [803]	32.22 [818]	3.34	1498	94

*REGULARLY FURNISHED UNLESS OTHERWISE SPECIFIED

REV. DATE: 2/24/11 C.N. NO. 111599
 DWG. NO. 302045 PRODUCT NO. Z886-HDD-SW2

ZURN INDUSTRIES, LLC ♦ SPECIFICATION DRAINAGE OPERATION ♦ 1801 Pittsburgh Ave. ♦ Erie, PA 16514

Phone: 814455-0921 ♦ Fax: 814454-7929 ♦ World Wide Web: www.zurn.com

In Canada: ZURN INDUSTRIES LIMITED ♦ 3544 Nashua Drive ♦ Mississauga, Ontario L4V1L2 ♦ Phone: 905405-8272 Fax: 905405-1292