



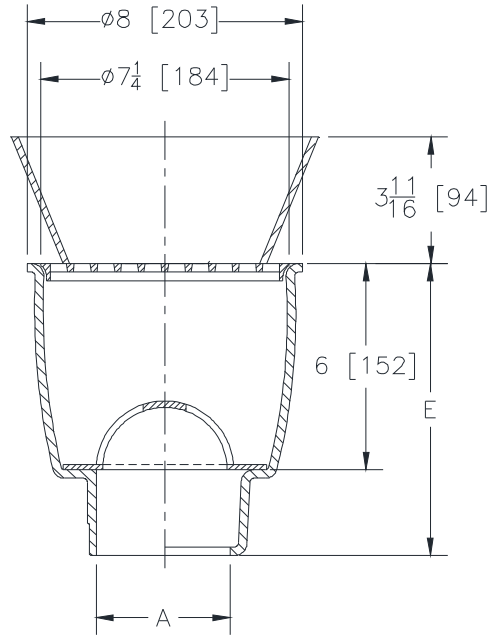
# Z1960-8

8 [203] DIAMETER A.R.E. SANI-FLOR RECEPTOR  
6 [152] SUMP DEPTH WITH 4 [102] HIGH OVAL FUNNEL

SPECIFICATION SHEET

TAG \_\_\_\_\_

Dimensional Data (inches and [ mm ]) are Subject to Manufacturing Tolerances and Change Without Notice



A Pipe Size In. [mm]	Approx. Wt. Lbs. [kg]	Grate Open Area Sq. In. [cm <sup>2</sup> ]
2,3,4 [51,76,102]	29 [13]	15 [97]

### ENGINEERING SPECIFICATION: ZURN Z1960-8

Sani-Flor Receptor 8" [203mm] diameter x 6" [152mm] deep cast iron body and round square holed light duty grate with 8-7/8" x 3-5/8" x 3-3/4" [225mm x 92mm x 95mm] high oval funnel, with white acid resisting porcelain enamel interior and top, black ground enamel exterior coating, complete with aluminum anti-splash interior bottom dome strainer.

### OPTIONS (Check/specify appropriate options)

#### PIPE SIZE

3,4 [76,102]  
2,3,4 [51,76,102]  
2,3,4 [51,76,102]

#### (Specify size/type) OUTLET

\_\_\_ IC Inside Caulk  
\_\_\_ NH No-Hub  
\_\_\_ NH No-Hub

#### 'E' BODY HT. DIMENSION

Z	ZN
8-1/2 [216]	9 [229]
8-1/2 [216]	9 [229]
8 [203]	8-7/16 [214]

#### PREFIXES

\_\_\_ Z Cast Iron Body with White A.R.E. Interior\*  
\_\_\_ ZN Cast Iron Body with White A.R.E. Interior, 8 1/2 [216] Nickel Bronze Frame and Full Grate with 1/4 [6] Square Openings

#### SUFFIXES

\_\_\_ -K Anchor Flange With Seepage Holes  
\_\_\_ -KC Anchor Flange With Seepage Holes With Clamp Collar  
\_\_\_ -LD Less Internal Bottom Dome Strainer  
\_\_\_ -P 1/2 [13] Threaded Trap Primer Connection (See Z-1023)  
\_\_\_ -T Square Top  
\_\_\_ -TC Neo-Loc Test Cap Gasket (2,3,4 [51,76,102] NL Bottom Outlet Only)  
\_\_\_ -11 Vandal-Proof Scured Grate  
\_\_\_ -23 Aluminum Bucket  
\_\_\_ -25 White A.R.C. Bucket  
\_\_\_ -31 Stainless Steel Mesh Liner for Bucket  
\_\_\_ -32 Aluminum Dome Strainer  
\_\_\_ -33 White A.R.C. Anti-Splash Bottom Dome Strainer

\* Regularly furnished unless otherwise specified.