

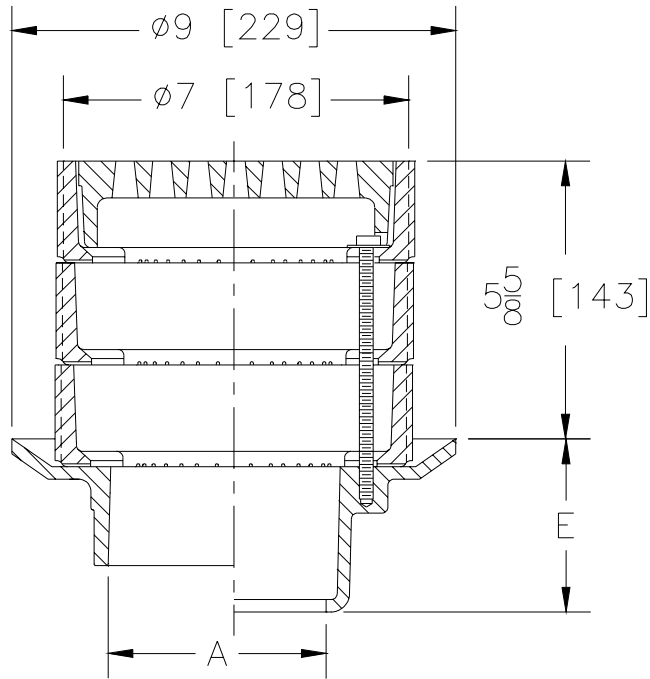


Z-507-76 7 [178] MEDIUM DUTY DRAIN W/ EXTENSIONS

SPECIFICATION SHEET

TAG _____

Dimensional Data (inches and [mm]) are Subject to Manufacturing Tolerances and Change Without Notice



A- Pipe Size In.	Approx. Wt. Lbs. [kg]	Dome Open Area Sq. In. [cm ²]
2-3-4 [50-75-100]	15 [7]	9 [58]

ENGINEERING SPECIFICATION: ZURN Z-507-76 7 [178] Diameter top drain, Dura-Coated cast iron body with bottom outlet, seepage pan, combination membrane flashing clamp and frame for medium duty cast iron deep flange slotted grate with extensions.

OPTIONS (Check/specify appropriate options)

OUTLET (Specify type)

- _____ **IC** Inside Caulk
- _____ **IC** Inside Caulk w/Sealtrol Gskt.
- _____ **IP** Threaded
- _____ **NL** Neo-Loc

PIPE SIZE (Specify size)

- _____ 2, 3, 4 [50, 75, 100]
- _____ 2, 3, 4 [50, 75, 100]
- _____ 2, 3, 4 [50, 75, 100]
- _____ 2, 3, 4 [50, 75, 100]

'E' BODY HT. DIMENSION

- _____ 3 1/2 [89]
- _____ 3 1/2 [89]
- _____ 3 1/4 [83]
- _____ 2 5/8 [67]

PREFIXES

- _____ **Z-** D.C.C.I. Body and Top*
- _____ **ZB-** D.C.C.I. Body with Polished Bronze Top
- _____ **ZN-** D.C.C.I. Body with Polished Nickel Bronze Top

SUFFIXES

- _____ **-AR** Acid Resisting Epoxy Coated Finish
- _____ **-DG** Duresist Grate
- _____ **-F** 2 [51] Extension Frame
- _____ **-G** Galvanized Cast Iron
- _____ **-P** Trap Primer Connection
- _____ **-S** Secondary Strainer
- _____ **-TS** Top Secured with Slotted Screws
- _____ **-VP** Vandal Proof Secured Top
- _____ **-Y** Sediment Bucket

REV. A	DATE: 2/8/02	C.N. NO. 88312
DWG NO. P-14870	PRODUCT NO. Z-507-76	

*REGULARLY FURNISHED UNLESS OTHERWISE SPECIFIED