



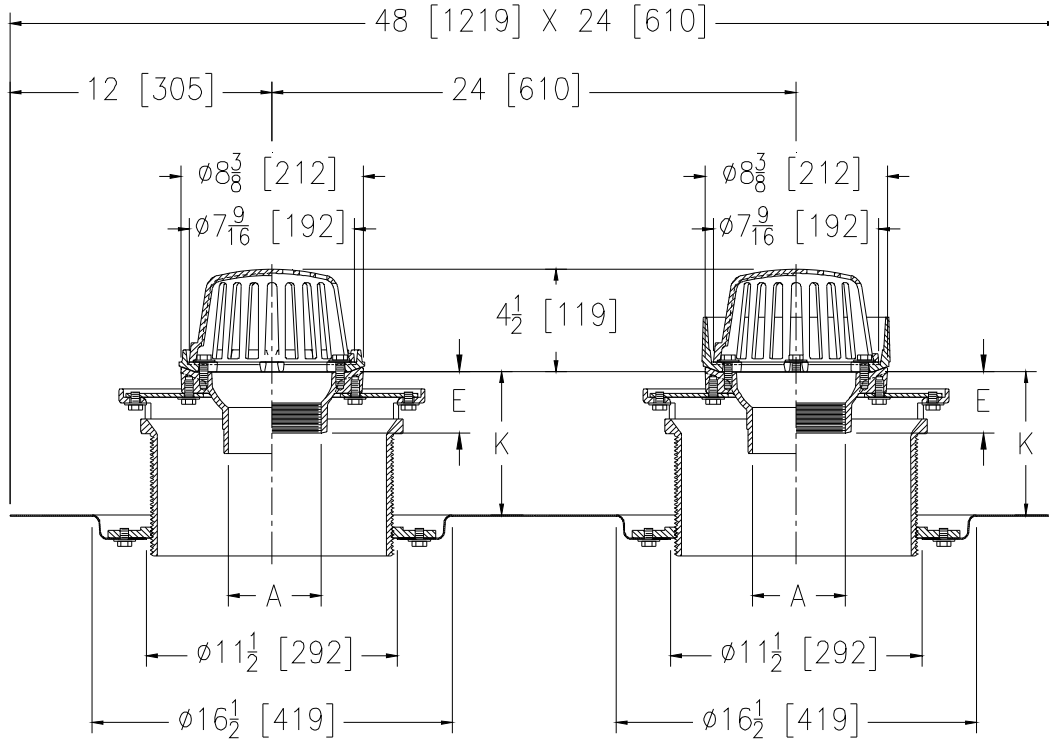
# Z165-78

Ø8-3/8 [213] COMBINATION MAIN ROOF & OVERFLOW DRAIN W/ LOW SILHOUETTE DOMES, DOUBLE TOP-SET® DECK PLATE, AND TOP-SET® DRAIN RISER

SPECIFICATION SHEET

TAG \_\_\_\_\_

Dimensional Data (inches and [ mm ]) are Subject to Manufacturing Tolerances and Change Without Notice



A Pipe Size In.	K		Approx. Wt. Lbs. [kg]	Dome Open Area Sq. In. [cm <sup>2</sup> ]
	Min.	Max.		
2-3-4 [51-76-102]	3-5/8 [92]	7-1/4 [184]	94 [43]	43 [277]

### ENGINEERING SPECIFICATION: ZURN Z165-78

8-3/8 [213] Diameter roof drain and overflow drain, Dura-Coated cast iron bodies with combination membrane flashing clamp/gravel guards, double Top-Set® deck plate, Top-Set® drain riser, and low silhouette cast iron domes.

### OPTIONS (Check/specify appropriate options)

#### PIPE SIZE

- 2-3-4 [51-76-102]
- 2 [51]
- 3 [76]
- 4 [102]
- 2-3-4 [51-76-102]
- 2-3-4 [51-76-102]

#### (Specify size/type) OUTLET

- \_\_\_ IC Inside Caulk
- \_\_\_ IP Threaded
- \_\_\_ IP Threaded
- \_\_\_ IP Threaded
- \_\_\_ NH No-Hub
- \_\_\_ NL Neo-Loc

#### 'E' BODY HT. DIM.

- 3-7/8 [98]
- 2-7/16 [62]
- 2-3/4 [70]
- 3 [76]
- 4 [102]
- 3-13/16 [97]

### PREFIXES

- \_\_\_ Z D.C.C.I. Body with Dome (4-1/4 [108] Dome Height)\*
- \_\_\_ ZA D.C.C.I. Body with Aluminum Dome (4-1/4 [108] Dome Height)
- \_\_\_ ZRB D.C.C.I. Body with Plain Bronze Dome (3-1/4 [83] Dome Height)

### SUFFIXES

- \_\_\_ -AR Acid Resistant Epoxy Coated Finish
- \_\_\_ -BS Bronze Mesh Screen Over Dome
- \_\_\_ -E Static Extension 1-2-3-4 [25-51-76-102] (Specify Ht.)
- \_\_\_ -G Galvanized Cast Iron
- \_\_\_ -SC Secondary Clamping Collar
- \_\_\_ -SS Stainless Steel Mesh Screen Over Dome
- \_\_\_ -TC Neo-Loc Test Cap Gasket (2-3-4 [51-76-102] NL Bottom Outlet only).
- \_\_\_ -VP Vandal-Proof Secured Top
- \_\_\_ -XJ Vertical Expansion Joint (See Z190)
- \_\_\_ -84 Stainless Steel Perforated Gravel Guard
- \_\_\_ -85 Stainless Steel Perforated Extension

\* Regularly furnished unless otherwise specified.