



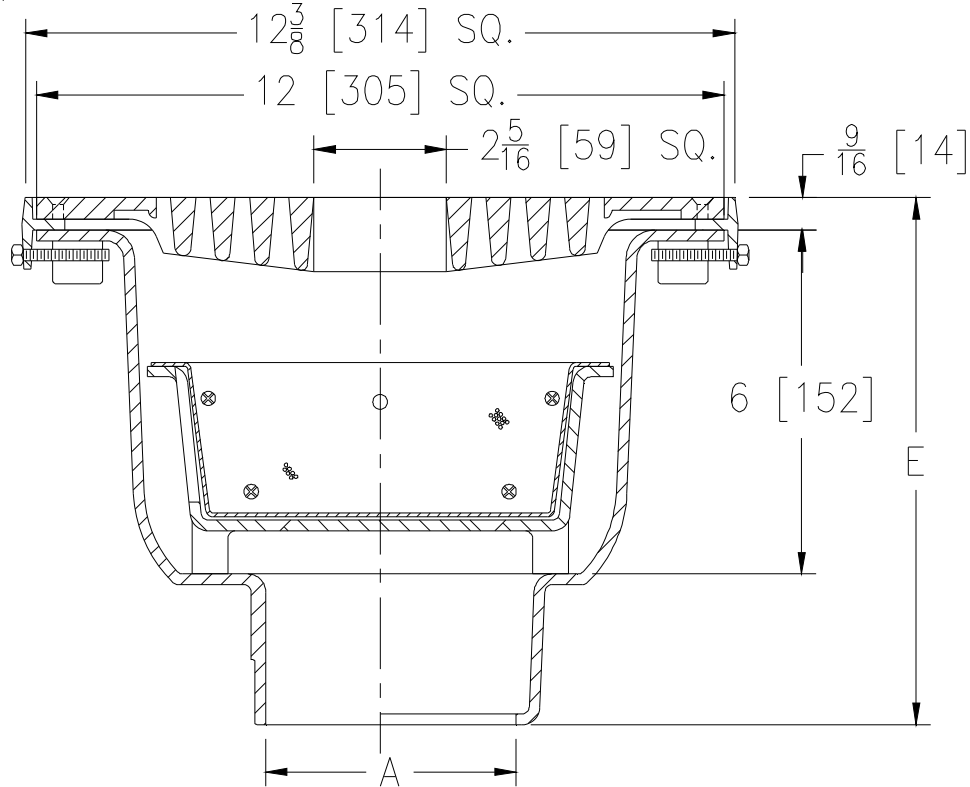
# ZS1900-HD-4-25-31

SPECIFICATION SHEET

12-3/8 x 12-3/8 [314 x 314] A.R.E. SANI-FLOR RECEPTOR W/  
A.R.C. BUCKET W/ LINER, 6 [152] SUMP DEPTH, S.S. FRAME  
& X-HEAVY-DUTY S.S. GRATE W/ 2-5/16 [59] SQ. CENTER OPENING

TAG \_\_\_\_\_

Dimensional Data (inches and [ mm ]) are Subject to Manufacturing Tolerances and Change Without Notice



A- Pipe Size In.	Approx Wt. Lbs. [kg]	Grate Open Area Sq. In. [cm <sup>2</sup> ]
2-3-4 [51-76-102]	32 [15]	22 [142]

**ENGINEERING SPECIFICATION:** ZURN ZS1900-HD-4-25-31 Sani-Flor Receptor 12-3/8 x 12-3/8 x 6 [314 x 314 x 152] deep cast iron body with white acid resisting porcelain enamel interior, white A.R.C. bucket with stainless steel mesh liner, stainless steel frame with extra heavy-duty stainless steel grate with a 2-5/16 [59] square center opening.

**OPTIONS** (Check/specify appropriate options)

**PIPE SIZE**

- 2-3-4 [51-76-102]
- 2-3-4 [51-76-102]
- 2-3-4 [51-76-102]

(Specify size/type) **OUTLET**

- \_\_\_ IC Inside Caulk
- \_\_\_ NH No-Hub
- \_\_\_ NL Neo-Loc

**'E' BODY HT. DIM.**

- 9-1/8 [232]
- 9-1/8 [232]
- 8-1/2 [216]

**PREFIXES**

- \_\_\_ ZS Cast Iron Body w/ White A.R.E. Interior, 12-3/8 [314] Square Stainless Steel Frame & Grate w/ 1/4 [6] Slotted Openings & Center Opening\*

**SUFFIXES**

- \_\_\_ -K Anchor Flange with Seepage Holes
- \_\_\_ -KC Anchor Flange with Seepage Holes and Clamp Collar
- \_\_\_ -P 1/2 [13] Trap Primer Connection (See Z1023)
- \_\_\_ -SA Stabilizer Assembly (See Z1903)
- \_\_\_ -TC Neo-Loc Test Cap Gasket (2 [51]-4 [102] NL Bottom Outlet Only)
- \_\_\_ -VPS Vandal-Proof Strainer
- \_\_\_ -2 1/2 Grate
- \_\_\_ -3 3/4 Grate
- \_\_\_ -11 Vandal-Proof Secured Top

REV.	DATE: 04/24/12	C.N. NO. 124178
DWG. NO. 309529		PROD. NO. ZS1900-HD-4-25-31

\*REGULARLY FURNISHED UNLESS OTHERWISE SPECIFIED