



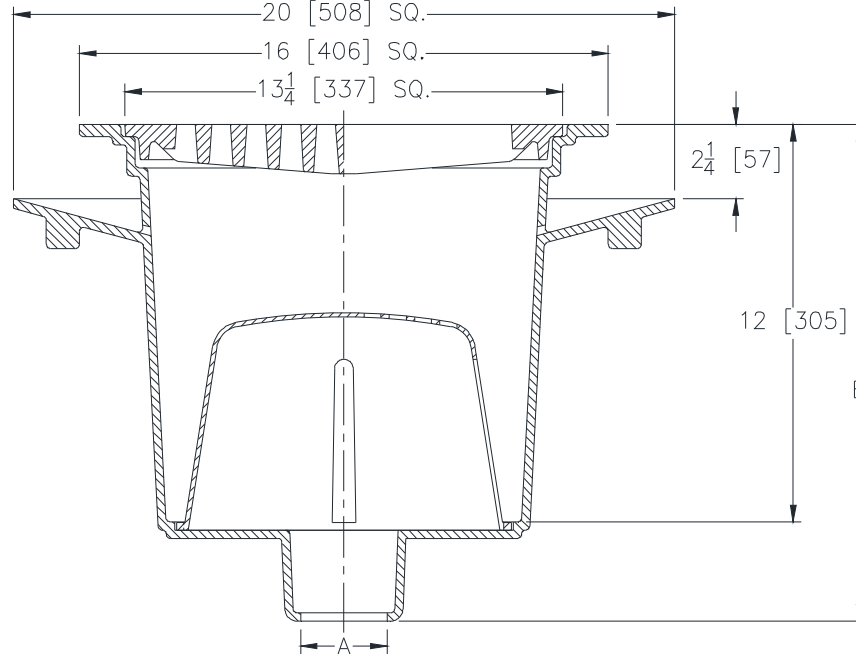
Z1926-2

16 X 16 [406 X 406] A.R.C. SANI-FLOR RECEPTOR
12 [305] SUMP DEPTH WITH 1/2 GRATE

SPECIFICATION SHEET

TAG _____

Dimensional Data (inches and [mm]) are Subject to Manufacturing Tolerances and Change Without Notice



A- Pipe Size In. [mm]	Approx Wt. Lbs. [kg]	Grate Open Area Sq. In. [cm ²]
2, 3, 4, 5, 6, 8 [51, 76, 102, 127, 152, 203]	143 [65]	79 [509]

ENGINEERING SPECIFICATION: ZURN Z1926-2
Sani-Flor Receptor 16" x 16" x 12" [406mm x 406mm x 305mm] deep cast iron body with seepage flange and 1/2 square slotted grate, with white acid resisting epoxy coated interior and top, complete with aluminum anti-splash interior bottom dome strainer.

OPTIONS (Check/specify appropriate options)

PIPE SIZE	(Specify size/type)	OUTLET		'E' BODY HT. DIMENSION	
		Z	ZN	Z	ZN
3, 4, 6 [76, 102, 152]	___	IC	Inside Caulk	15 [381]	15-3/16 [386]
2, 3, 4, 5, 6, 8 [51, 76, 102, 127, 152, 203]	___	NH	No-Hub	15 [381]	15-3/16 [386]
2, 3, 4 [51, 76, 102]	___	NL	Neo-Loc	14-1/4 [362]	14-7/16 [367]

PREFIXES

- ___ Z Cast Iron Body with White A.R.C. Interior*
- ___ ZN Cast Iron Body with White A.R.C. Interior, 16-3/4 [425] Square Nickel Bronze Frame and Full Grate

SUFFIXES

- ___ -C Clamping Collar
- ___ -LD (Less) Internal Bottom Dome Strainer
- ___ -P 1/2 [13] Trap Primer Connection
- ___ -TC Neo-Loc Test Cap Gasket (2, 3, 4 [51, 76, 102] NL Bottom Outlet Only)
- ___ -11 Vandal-Proof Secured Grate (ZN Only)
- ___ -23 Aluminum Bucket
- ___ -25 White A.R.C. Bucket
- ___ -31 Stainless Steel Mesh Liner for Bucket
- ___ -33 White A.R.C. Anti-Splash Bottom dome Strainer

* Regularly furnished unless otherwise specified.