

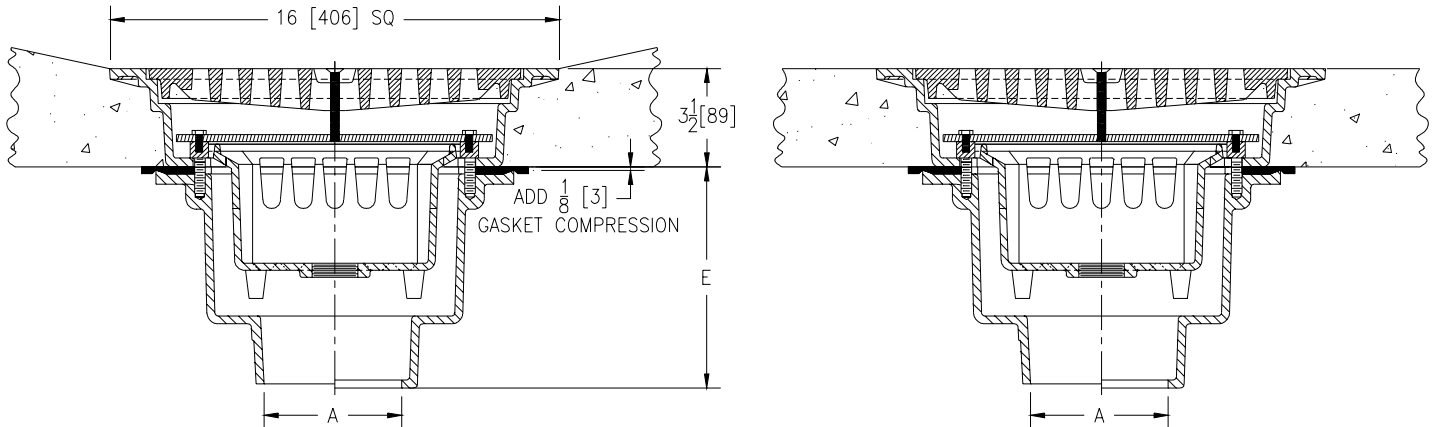


Z-662-91

16" [406] EXTRA HEAVY DUTY DRAIN FOR ANY PRECAST CONCRETE PARKING DECK SYSTEM

TAG _____

Dimensional Data (inches and [mm]) are Subject to Manufacturing Tolerances and Change Without Notice



A- Pipe Size In.	Approx. Wt. Lbs. [kg]	Grate Open Area Sq. In. [cm ²]
3-4 [75-100]	84 [38]	53 [342]
5-6 [125-150]	90 [41]	

ENGINEERING SPECIFICATION: Z-662-91

16 [406] Square top drain, Dura-Coated cast iron body with bottom outlet and gasket seal, seepage pan and combination membrane flashing clamp and frame for extra heavy duty secured slotted grate with suspended sediment bucket, and securing bar.

OPTIONS (Check/specify appropriate options)

PIPE SIZE

3 thru 6 [75 thru 150]
 3, 4, 6 [75, 100, 150]
 3 thru 6 [75 thru 150]
 (IP w/Z-1040-1)
 3, 4 [75, 100]

(Specify size/type) OUTLET

_____ IC Inside Caulk
 _____ IG Inside Caulk w/Sealtrol Gskt.
 _____ IP Threaded
 _____ NH No-Hub
 _____ NL Neo-Loc

'E' BODY HT. DIM.

7 3/4 [197]
 7 3/4 [197]
 6 3/8 [162]
 7 1/8 [181]

PREFIXES

_____ Z- D.C.C.I. Body and Grate*
 _____ ZB- D.C.C.I Body w/Polished Bronze Top (Add 3/16 [5] to 3 3/8 [86] and 11/16 [17] to 16 [406] Dim.)
 _____ ZN- D.C.C.I Body w/Polished Nickel Bronze Top (Add 3/16 [5] to 3 3/8 [86] and 11/16 [17] to 16 [406] Dim.)

SUFFIXES

_____ -DG Duresist Grate
 _____ -G Galvanized Cast Iron
 _____ -SS Stainless Mesh Liner for Bucket
 _____ -TS Top Secured With Slotted Screws
 _____ -V Backwater Valve (See Z-1099)
 _____ -VP Vandal Proof Secured Top
 _____ -YA Aluminum Sediment Bucket
 _____ -90 90° Threaded Side Outlet Body

REV.	DATE: 07/24/01	C.N. NO. 87734
DWG. NO. P-14838	PRODUCT NO. Z-662-91	

*REGULARLY FURNISHED UNLESS OTHERWISE SPECIFIED