



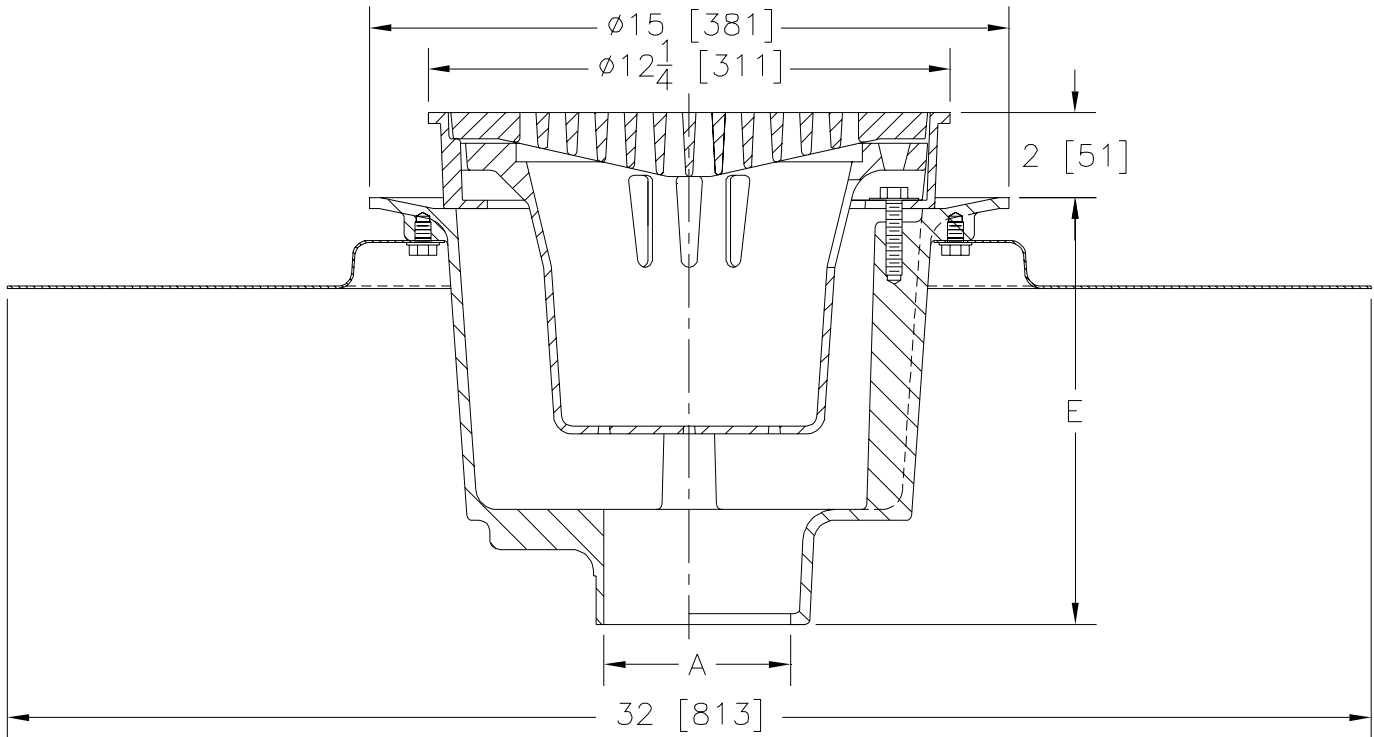
Z539-88

12 [305] HEAVY-DUTY DRAIN WITH DEEP SUMP AND SUPPORT PLATE

SPECIFICATION SHEET

TAG _____

Dimensional Data (inches and [mm]) are Subject to Manufacturing Tolerances and Change Without Notice



A- Pipe Size In.	Approx. Wt. Lbs. [kg]	Grate Open Area Sq. In. [cm ²]
3-4-6 [76-102-152]	68 [31]	30 [194]
8 [203]		

ENGINEERING SPECIFICATION: ZURN Z539-88
 12 [305] Diameter top drain, Dura-Coated cast iron deep sump body with bottom outlet, seepage pan and combination membrane flashing clamp and frame for sediment bucket, support plate, and heavy-duty slotted grate.

OPTIONS (Check/specify appropriate options)

PIPE SIZE	(Specify size/type)	OUTLET	'E' BODY HT. DIM.
3-4-6 [76-102-152]	___	IC Inside Caulk	10 [254]
3-4-6 [76-102-152]	___	IG Inside Caulk w/Sealtrol Gskt.	10 [254]
3-4-6-8 [76-102-152-203]	___	NH No-Hub	10 [254]

PREFIXES

- ___ Z D.C.C.I. Body and Top*
- ___ ZB D.C.C.I. Body with Polished Bronze Top (Add 3/16 [5] to 2 [51] Dim.)
- ___ ZN D.C.C.I. Body with Polished Nickel Bronze Top (Add 3/16 [5] to 2 [51] Dim.)
- ___ ZS D.C.C.I. Body with Stainless Steel Veneer Frame & Top (Add 3/16 [5] to 2 [51] Dim.)

SUFFIXES

- | | |
|--|---|
| <ul style="list-style-type: none"> ___ -DG Duresist Grate ___ -FY Free Standing Bucket ___ -G Galvanized Cast Iron ___ -H Hinged Grate ___ -HP Heel-Proof Grate ___ -SS Stainless Steel Mesh Liner for Bucket ___ -T Square Top | <ul style="list-style-type: none"> ___ -TS Top Secured with Slotted Screws ___ -VP Vandal-Proof Secured Top |
|--|---|

*REGULARLY FURNISHED UNLESS OTHERWISE SPECIFIED

REV.	DATE: 8/24/07	C.N. NO. 97204
DWG. NO. P-15469 PRODUCT NO. Z539-88		