



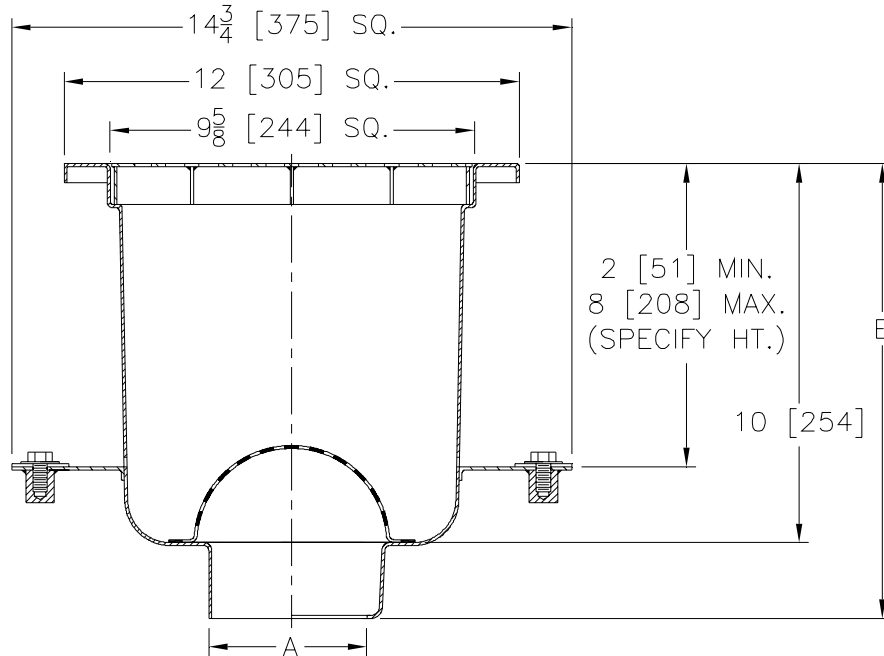
Z1752-138

SPECIFICATION SHEET

12 X 12 [305 X 305] SANI-FLOR RECEPTOR 10 [254] SUMP W/ SPECIAL ANCHOR FLANGE

TAG _____

Dimensional Data (inches and [mm]) are Subject to Manufacturing Tolerances and Change Without Notice



A- Pipe Size In.	Approx. Wt. Lbs. [kg]	Grate Open Area Sq. In. [cm ²]
2-3-4 [51-76-102]	22 [10]	23 [148]
6 [152]	23 [10]	23 [148]

ENGINEERING SPECIFICATION: ZURN Z1752-138

12 x 12 x 10 [305 x 305 x 254] deep, 14 gage, All Type 304 (CF8) Stainless Steel light-duty Sani-Flor receptor with non-tilt, loose set full grate with 1/2 [13] square openings, anti-splash interior dome strainer, and special anchor flange with seepage holes and clamp collar.

OPTIONS (Check/specify appropriate options)

PIPE SIZE

- 2 thru 4 [51 thru 102]
- 2 [51]
- 3 [76]
- 4 [102]
- 2 thru 4, 6 [51 thru 102, 152]
- 2 thru 4 [51 thru 102]

(Specify size/type) OUTLET

- _____ IC Inside Caulk
- _____ IP Threaded
- _____ IP Threaded
- _____ IP Threaded
- _____ NH No-Hub
- _____ NL Neo-Loc

'E' BODY HT. DIM.

- 12 9/16 [319]
- 11 5/16 [287]
- 11 9/16 [294]
- 12 1/16 [306]
- 12 1/16 [306]
- 11 13/16 [300]

PREFIXES

- _____ Z Type 304 (CF8) Stainless Steel Body*
- _____ ZM Type 316 (CF8M) Stainless Steel

SUFFIXES

- | | | | |
|------------|--|-----------|--|
| _____ -DX | Dex-o-tex Flange | _____ -5 | Grate w/ 4 [102] Dia. x 3 3/4 [95] High 304 S.S. Funnel |
| _____ -HP | Heel-Proof Grate | _____ -8 | Grate w/ 9 [229] Dia. x 3 1/2 [90] High 304 S.S. Oval Funnel |
| _____ -IP | Female Threaded Outlet | _____ -15 | Solid Cover |
| _____ -LSH | (Less) Seepage Holes | _____ -16 | 1/2 Solid Cover |
| _____ -SG | Solid Gasketed Cover | _____ -17 | 3/4 Solid Cover |
| _____ TC | Neo-Loc Test Cap Gasket (2 - 4 [51 - 102] NL Bottom Outlet Only) | _____ -18 | Solid Cover w/ 3 [76] Square Center Opening |
| _____ -VP | Vandal-Proof Secured Top | _____ -19 | Full Hinged Grate |
| _____ -Y | Sediment Bucket | _____ -20 | Full Hinged Solid Cover |
| _____ -YS | Suspended Sediment Bucket | | |
| _____ -1 | (Less) Grate | | |
| _____ -2 | 1/2 Grate | | |
| _____ -3 | 3/4 Grate | | |
| _____ -4 | Full Grate with 3 [76] Square Center Opening | | |

*REGULARLY FURNISHED UNLESS OTHERWISE SPECIFIED

REV. B DATE: 5/17/07 C.N. NO. 96637

DWG. NO. P-15082 PRODUCT NO. Z1752-138

ZURN INDUSTRIES, LLC ♦ SPECIFICATION DRAINAGE OPERATION ♦ 1801 Pittsburgh Ave. ♦ Erie, PA 16514

Phone: 814/455-0921 ♦ Fax: 814/454-7929 ♦ World Wide Web: www.zurn.com

In Canada: ZURN INDUSTRIES LIMITED ♦ 3544 Nashua Drive ♦ Mississauga, Ontario L4V1L2 ♦ Phone: 905/405-8272 Fax: 905/405-1292