



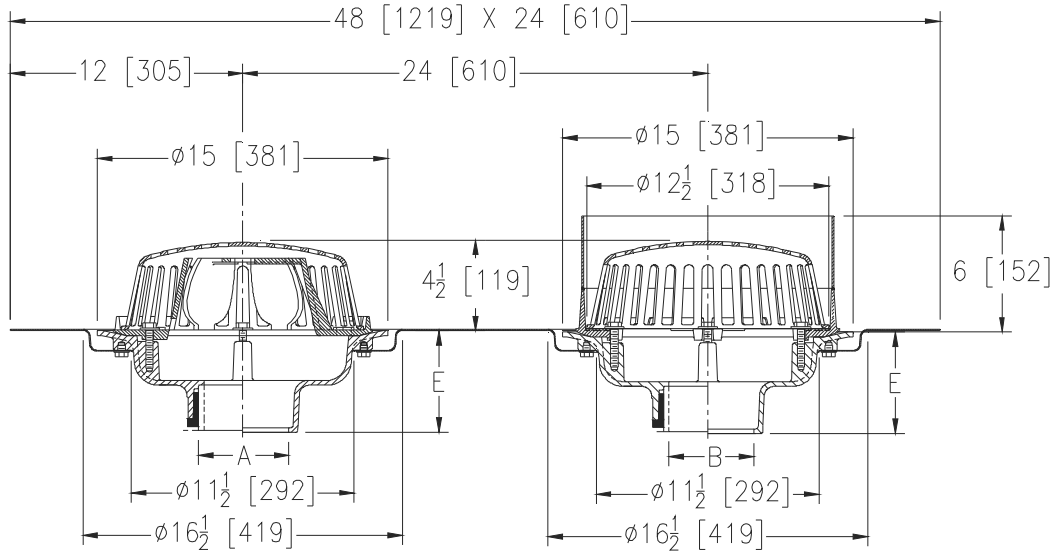
Z163-93

15 [381] DIAMETER COMBINATION CONTROL-FLO AND OVER-FLOW DRAIN W/ LOW SILHOUETTE DOMES, DOUBLE TOP-SET® DECK PLATE AND 6 [152] EXTERNAL WATER DAM

SPECIFICATION SHEET

TAG _____

Dimensional Data (inches and [mm]) are Subject to Manufacturing Tolerances and Change Without Notice



A Pipe Size In. [mm]	Approx. Wt. Lbs. [kg]	Dome Open Area Sq. In. [cm ²]
2,3,4 [51,76,102]	36 [16]	103 [665]
B Pipe Size In. [mm]	Approx. Wt. Lbs. [kg]	Dome Open Area Sq. In. [cm ²]
2,3,4 [51,76,102]	44 [20]	103 [665]
5,6 [127,152]	41 [19]	
8 [203]	44 [20]	

ENGINEERING SPECIFICATION: ZURN Z163-93

15" [381mm] Diameter Control-Flo and overflow drain, Dura-Coated cast iron bodies, Control-Flo drain with weir is linear functioning with integral membrane flashing clamp/gravel guard, combination membrane flashing clamp/gravel guard. Overflow drain has 6" [152mm] external water dam, integral membrane flashing clamp/gravel guard, drains have Poly-Domes and double Top-Set® deck plate.

OPTIONS (Check/specify appropriate options)

PIPE SIZE

- 2,3,4,5,6,8 [51,76,102,127,152,203]
- 2,3,4,5,6,8 [51,76,102,127,152,203]
- 2,3,4,5,6,8 [51,76,102,127,152,203]
- 2,3,4 [51,76,102]

(Specify size/type) OUTLET

- _____ IC Inside Caulk
- _____ IP Threaded
- _____ NH No-Hub
- _____ NL Neo-Loc

E BODY HT. DIM.

- 5-1/4 [133]
- 3-3/4 [95]
- 5-1/4 [133]
- 4-9/16 [116]

PREFIXES

- _____ Z D.C.C.I. Body with Poly-Dome*
- _____ ZA D.C.C.I. Body with Aluminum Dome

- _____ ZC D.C.C.I. Body with Cast Iron Dome
- _____ ZRB D.C.C.I. Body with Plain Bronze Dome

SUFFIXES

- _____ -AR Acid Resistant Epoxy Coated Finish
- _____ -BS Bronze Mesh Screen Over Dome
- _____ -DR Top-Set® Drain Riser
- _____ -E Static Extension 1 thru 4 [25 thru 102] (Specify Ht.)
- _____ -EA Adjustable Extension Assembly 2-1/8 thru 3-1/2 [54 thru 89]
- _____ -G Galvanized Cast Iron
- _____ -GD Galvanized Cast Iron Dome

- _____ -HD 6-3/4 [171] High Aluminum Dome Strainer (148 sq. in. open area) (ZA only)
- _____ -SS Stainless Steel Mesh Screen Over Dome
- _____ -SC Secondary Clamping Collar
- _____ -TC Neo-Loc Test Cap Gasket (2,3,4 [51176,102] NL Bottom Outlet Only)
- _____ -VP Vandal Proof Secured Top
- _____ -XJ Vertical Expansion Joint (See Z190)
- _____ -84 Stainless Steel Perforated Gravel Guard

* Regularly furnished unless otherwise specified.