



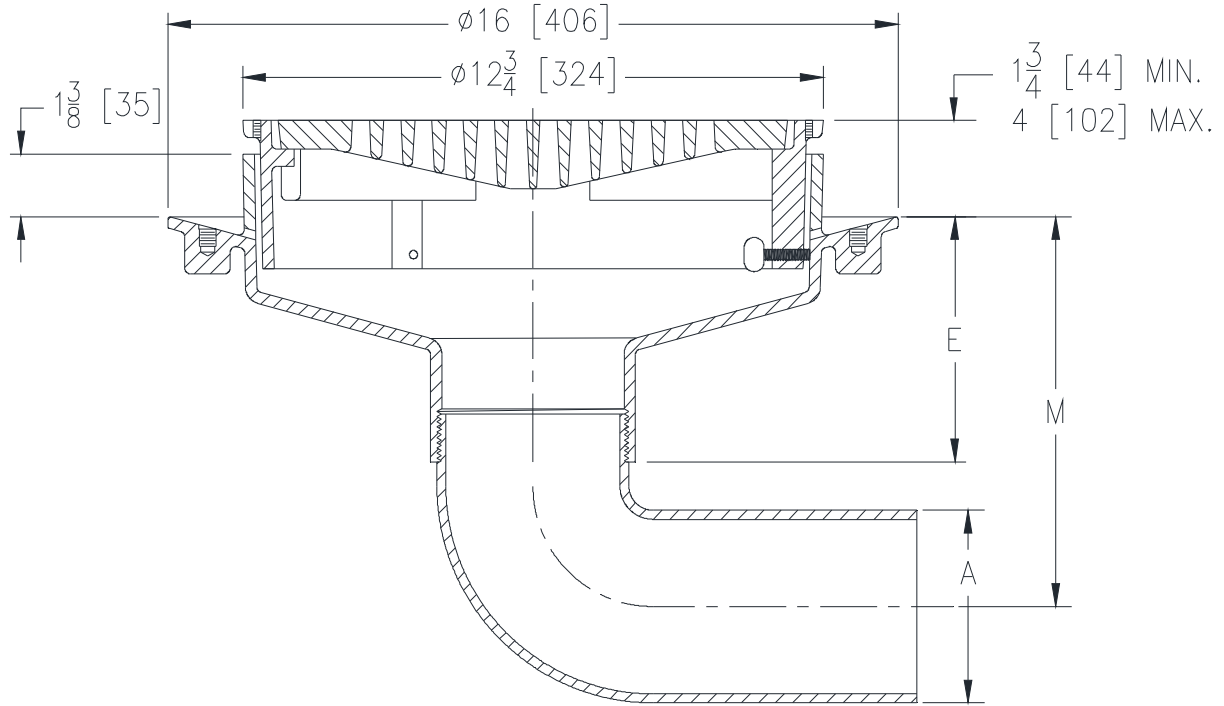
Z526-90

12-3/4 [324] ADJUSTABLE HEAVY-DUTY DRAIN W/SIDE OUTLET

SPECIFICATION SHEET

TAG _____

Dimensional Data (inches and [mm]) are Subject to Manufacturing Tolerances and Change Without Notice



Dimensions in Inches [mm]		Approx. Wt. Lbs. [kg]	Grates Open Area Sq. In. [cm ²]
A Pipe Size	M		
4 [102]	6-3/8 [162]	44 [20]	30 [194]
6 [152]	7-7/8 [200]	55 [25]	

ENGINEERING SPECIFICATION: ZURN Z526-90
 12-3/4" [324mm] Diameter top drain, Dura-Coated cast iron body with side outlet, seepage pan, adjustable extension frame and heavy-duty slotted grate.

OPTIONS (Check/specify appropriate options)

PIPE SIZE
 4,6 [102,152]

(Specify size/type) **OUTLET**
 _____ NH No-Hub

'E' BODY HT. DIM.
 3-3/4 [95]

PREFIXES

- ___ Z D.C.C.I. Body and Top*
- ___ ZN D.C.C.I. Body with Polished Nickel Bronze Top (Add 3/16 [5] to 1-3/4 [44], 4 [102] Dim.)

SUFFIXES

- ___ -C Clamp Collar
- ___ -DG Duresist Grate
- ___ -G Galvanized Cast Iron
- ___ -HP Heel-Proof Grate
- ___ -S Secondary Strainer
- ___ -T Square Top
- ___ -TS Top Secured with Slotted Screws
- ___ -VP Vandal-Proof Secured Top

* Regularly furnished unless otherwise specified.