



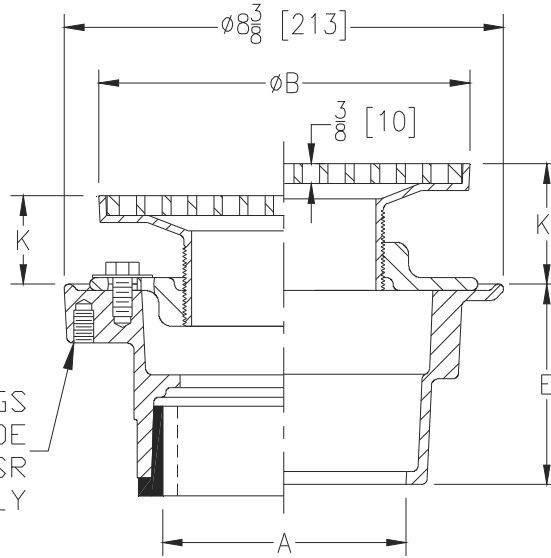
Z415B-HD

FLOOR AND SHOWER DRAIN W/HEAVY-DUTY SLOTTED GRATE

SPECIFICATION SHEET

TAG _____

Dimensional Data (inches and [mm]) are Subject to Manufacturing Tolerances and Change Without Notice



FOUR 3/8-16NC TAPPINGS PROVIDED ON UNDERSIDE FOR -SA, -SQ, AND -SR SUFFIX OPTIONS ONLY

Dimensions in In [mm]						Approx Wt. lbs [kg]	Strainer Open Area in ² [cm ²]
A Pipe Size	B Strainer Dia.	K		K'			
		Min	Max	Min	Max		
2,3 [51,76]	5 [127]	1/2 [13]	1-5/8 [41]	1-3/8 [35]	2-3/8 [60]	11 [5]	8 [52]
2,3,4 [51,76,102]	6 [152]	3/4 [19]	1-3/4 [44]	1-5/8 [41]	2-3/4 [70]	13 [6]	9 [58]

ENGINEERING SPECIFICATION: ZURN ZN415B-HD

Floor and shower drain, Dura-Coated cast iron body with bottom outlet, combination invertible membrane clamp, and adjustable collar with seepage holes, nickel bronze frame with "TYPE B" heavy duty nickel bronze strainer.

OPTIONS (Check/specify appropriate options)

PIPE SIZE	(Specify size/type)	OUTLET	E BODY HT. DIM.
2,3,4 [51,76,102]	_____	IC Inside Caulk	4-3/16 [106]
2 [51]	_____	IP Threaded	2-7/16 [62]
3 [76]	_____	IP Threaded	2-3/4 [70]
4 [102]	_____	IP Threaded	2-13/16 [71]
6 [152]	_____	IP Threaded	2-7/8 [73]
2,3,4 [51,76,102]	_____	NH No-Hub	3-13/16 [97]
2,3,4 [51,76,102]	_____	NL Neo-Loc	3-7/8 [98]

PREFIXES

_____ ZN D.C.C.I. Body with Polished Nickel Bronze Top*

SUFFIXES

_____ -AR	Acid Resistant Epoxy Coated Cast Iron	_____ -TC	Neo-Loc Test Cap Gasket
_____ -G	Galvanized Cast Iron	_____ -U	(2,3,4 [51,76,102] NL Bottom Outlet Only)
_____ -P	Trap Primer Connection	_____ -VP	1,2,3 [25, 51,76] High Extension Adapter
_____ -PC	(Specify 1/2 [13] or 3/4 [19])	_____ -Y	Vandal Proof Secured Top
_____ -SA	Protective Cover		Sediment Bucket
_____ -SQ	Sabilizer Assembly (See Z1035)		
_____ -SR	Stabilizer Q-Deck (See Z1035-Q)		
	Stabilizer Ring (See Z400-U)		

* Regularly furnished unless otherwise specified.