



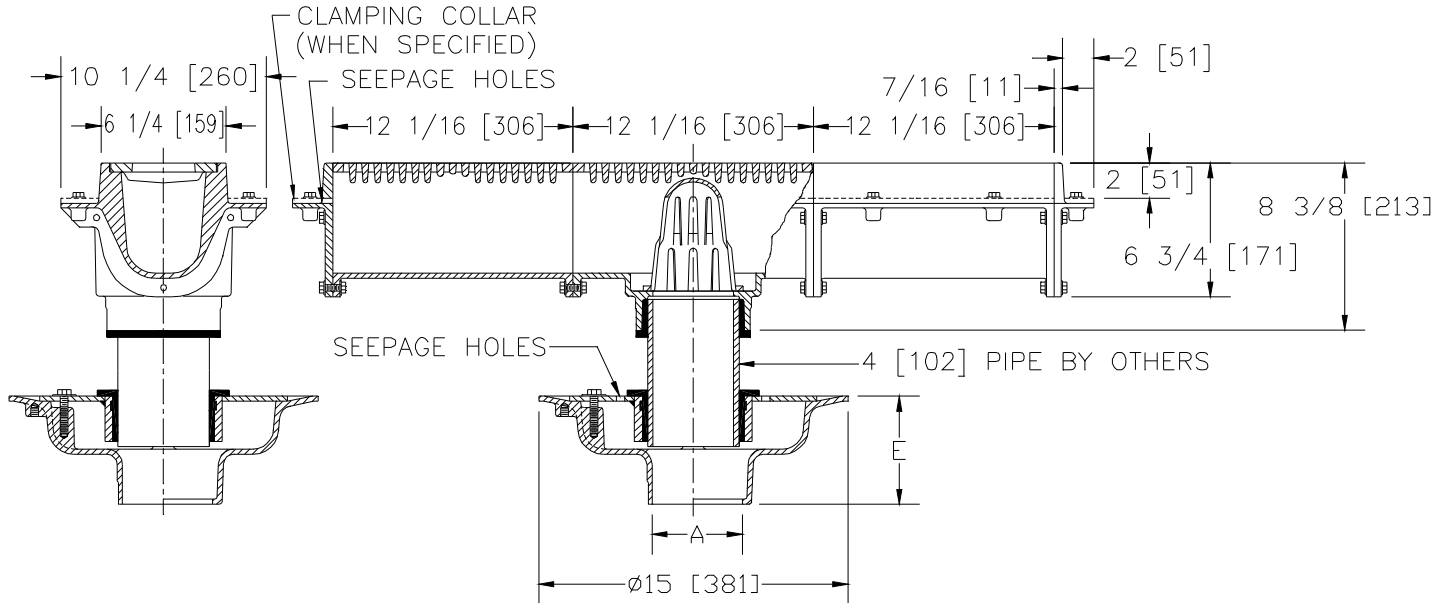
Z664-87

6 [152] WIDE MODULAR TRENCH DRAIN EXTRA HEAVY DUTY AND Z624 ISOLATION DECK DRAIN

SPECIFICATION SHEET

TAG _____

Dimensional Data (inches and [mm]) are Subject to Manufacturing Tolerances and Change Without Notice



A- Pipe Size In.	Approx. Wt. Lbs. [kg]	Grate Open Area Sq. In. [cm ²]
2-3-4 [50-75-100]	70 [32]	15 [97]
5-6 [125-150]		

ENGINEERING SPECIFICATION: ZURN Z664-87 Combination 6 [152] Wide Top modular trench drain and isolation deck drain. Top drain consists of Dura-Coated cast iron drain section with bottom Neo-Loc outlet, secondary dome strainer, integral seepage pan, and loose extra heavy duty slotted heel-proof grate. Bottom drain consists of Dura-Coated cast iron body, clamp collar with seepage holes, and neoprene flex gasket.

OPTIONS (Check/specify appropriate options)

PIPE SIZE

(Specify size/type) **OUTLET**

'E' BODY HT. DIM.

2 thru 6 [50 thru 150]	___ IC Inside Caulk	5 1/4 [133]
2 thru 4, 6 [50 thru 100, 150]	___ IG Inside Caulk w/Sealtrol Gskt.	5 1/4 [133]
2 thru 6 [50 thru 150]	___ IP Threaded	3 3/4 [95]
2 thru 6 [50 thru 150]	___ NH No-Hub	5 1/4 [133]
2 thru 4 [50 thru 100]	___ NL Neo-Loc	4 5/8 [117]

PREFIXES

- ___ Z D.C.C.I. Body and Grate*
- ___ ZB D.C.C.I Body w/Polished Bronze Top (Add 1/8 [3] to 8 3/8 [213] and 2 [51] Dim.)
- ___ ZN D.C.C.I Body w/Polished Nickel Bronze Top (Add 1/8 [3] to 8 3/8 [213] and 2 [51] Dim.)

SUFFIXES

- ___ -AR Acid Resisting Epoxy Coated Cast Iron
- ___ -C Clamp Collar (Upper Body) or Underdeck Clamp (Lower Body)
- ___ -DG Duresist Grate
- ___ -ES Extension Section (See Z-664, Z-665)
- ___ -G Galvanized Cast Iron
- ___ -M Side Outlet Adapter Via End Plate
- ___ -R Sump Receiver (Lower Body)
- ___ -TS Top Secured With Slotted Screws
- ___ -VP Vandal Proof Secured Top
- ___ -Y Sediment Bucket (Upper Body)

*REGULARLY FURNISHED UNLESS OTHERWISE SPECIFIED

REV. DATE: 10/21/02 C.N. NO. 90005

DWG. NO. P-14938 PRODUCT NO. Z664-87

ZURN INDUSTRIES, INC. ♦ SPECIFICATION DRAINAGE OPERATION ♦ 1801 Pittsburgh Ave. ♦ Erie, PA 16514

Phone: 814/455-0921 ♦ Fax: 814/454-7929 ♦ World Wide Web: www.zurn.com

In Canada: ZURN INDUSTRIES LIMITED ♦ 3544 Nashua Drive ♦ Mississauga, Ontario L4V1L2 ♦ Phone: 905/405-8272 Fax: 905/405-1292