



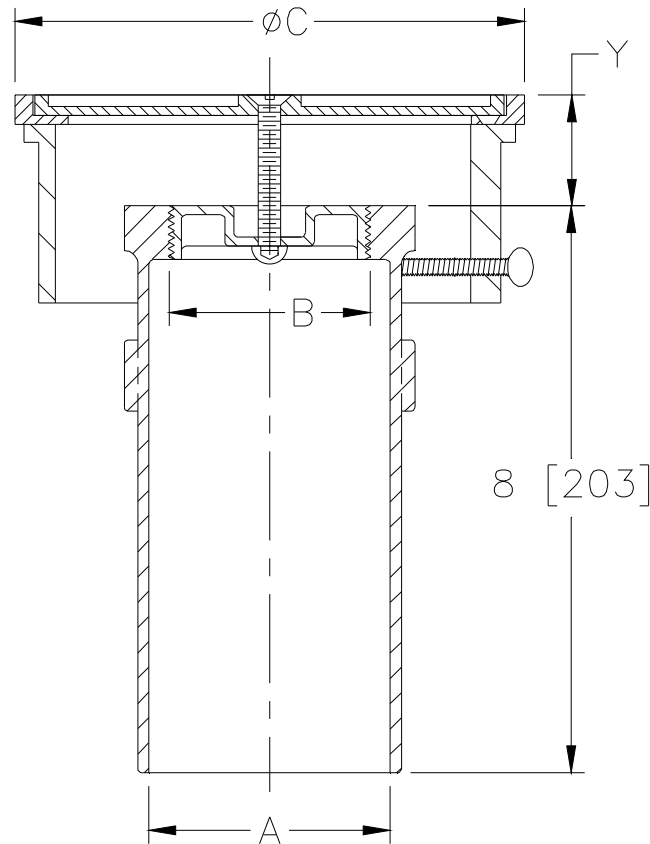
ZN1406-TX

SPIGOT CLEANOUT W/ SQUARE TOP RECESSED
FOR 1/8 [3] TILE

SPECIFICATION SHEET

TAG _____

Dimensional Data (inches and [mm]) are Subject to Manufacturing Tolerances and Change Without Notice



Dimensions in Inches [mm]			Approx. Wt. Lbs. [kg]	Y	
A - Pipe Size	B - N.P.T.	C		Min.	Max.
3 [76]	2	6-1/8 [156]	11 [5]	7/8 [22]	2 [51]
4 [102]	3-1/2	7-1/8 [181]	15 [7]		
6 [152]		9-1/4 [235]	23 [10]		

ENGINEERING SPECIFICATION: ZURN ZN1406-TX

Adjustable floor cleanout with spigot connection for caulking into hub. Dura-Coated cast iron body, with gas and watertight ABS plug, and cast iron housing with square top recessed for 1/8 [3] tile.

OPTIONS (Check/specify appropriate options)

PIPE SIZE (Specify size/type) **OUTLET**

3, 4, 6 [76, 102, 156] _____ -SP Spigot

PREFIXES

_____ ZN D.C.C.I. Body with Polished Nickel Bronze Top*

SUFFIXES

- _____ -AR Acid Resisting Epoxy Coated Finish
- _____ -BP Bronze Plug
- _____ -G Galvanized Cast Iron
- _____ -VP Vandal Proof Secured Top

* Regularly furnished unless otherwise specified.