



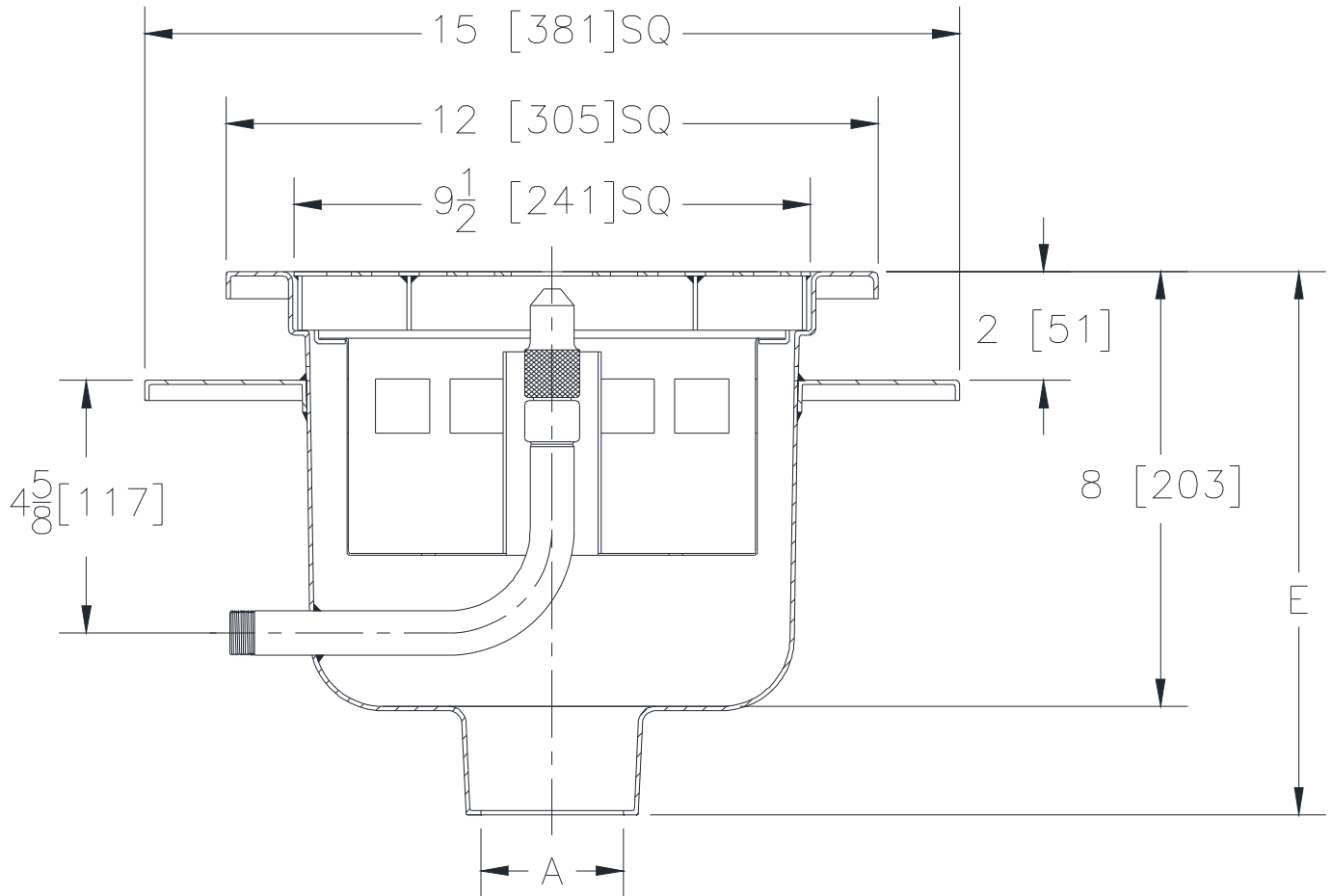
Z1982-31

12 X 12 [305 X 305] STAINLESS STEEL SANI-FLOOR
CAN WASH DRAIN W/ MESH LINER FOR BUCKET

SPECIFICATION SHEET

TAG _____

Dimensional Data (inches and [mm]) are Subject to Manufacturing Tolerances and Change Without Notice



A Pipe Size In. [mm]	Approx Wt. Lbs. [kg]	Grate Open Area Sq. In. [cm ²]
3,4 [76,102]	45 [20]	20 [129]

ENGINEERING SPECIFICATION: ZURNZ1982-31
Sani-Floor can wash drain, 12" x 12" x 8" [305mm x 305mm x 203mm] deep fabricated stainless steel body with bottom outlet, anchor pan, medium duty stainless steel loose set grate, with standing sediment bucket and stainless steel mesh liner for bucket. Complete with chrome plated bronze spray nozzle and water supply assembly.

OPTIONS (Check/specify appropriate options)

PIPE SIZE

(Specify size/type) **OUTLET**

'E' BODY HT. DIMENSION

3,4 [76,102]

____ NH No-Hub

10 [254]

PREFIXES

____ Z All Type 304 Stainless Steel

SUFFIXES

- ____ -C Flashing Clamp Collar
- ____ -WB Water Supply Control Box
- ____ -11 Vandal Proof Secured Grate

* Regularly furnished unless otherwise specified.