



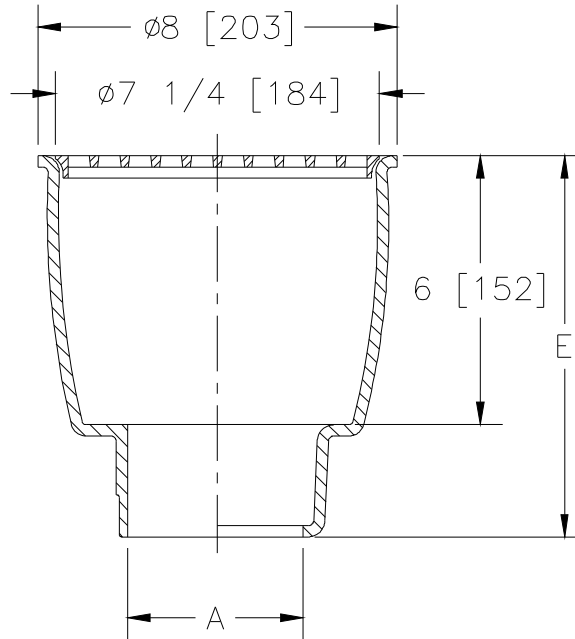
# Z1960-LD

8 [203] DIAMETER A.R.E. SANI-FLOR RECEPTOR  
6 [152] SUMP DEPTH LESS DOME STRAINER

SPECIFICATION SHEET

TAG \_\_\_\_\_

Dimensional Data (inches and [ mm ]) are Subject to Manufacturing Tolerances and Change Without Notice



A Pipe Size In. [mm]	Approx Wt. Lbs. [kg]	Grate Open Area Sq. In. [cm <sup>2</sup> ]
2,3,4 [51,76,102]	25 [11]	15 [97]

**ENGINEERING SPECIFICATION: ZURN Z-1960-LD**  
Sani-Flor Receptor 8" [203mm] diameter x 6" [152mm] deep cast iron body and round square holed light duty grate with white acid resisting porcelain enamel interior and top, black ground enamel exterior coating, less dome.

**OPTIONS** (Check/specify appropriate options)

**PIPE SIZE**

(Specify size/type) **OUTLET**

**'E' BODY HT. DIMENSION**

		<b>Z</b>	<b>ZN</b>
3,4 [76,102]	___ IC Inside Caulk	8-1/2 [216]	9 [229]
2,3,4 [51,76,102]	___ NH No-Hub	8-1/2 [216]	9 [229]
2,3,4 [51,76,102]	___ NL Neo-Loc	8 [203]	8-7/16 [214]

**PREFIXES**

- \_\_\_ Z Cast Iron Body with White A.R.E. Interior\*
- \_\_\_ ZN Cast Iron Body with White A.R.E. Interior, 8-1/2 [216] Nickel Bronze Frame and Full Grate with 1/4 [6] Square Openings

**SUFFIXES**

- |  |   |
|--|---|
| ___ -K Anchor Flange with Seepage Holes                                    | ___ -1 Less Grate   |
| ___ -KC Anchor Flange with Seepage Holes and Clamp Collar                  | ___ -2 1/2 Grate  |
| ___ -P 1/2 [13] Threaded Trap Primer Connection (See Z1023)                | ___ -3 3/4 Grate  |
| ___ -T Square Frame and Round Grate with 1/4 [6] Square Openings (ZN Only) | ___ -4 Full Grate With 2 [51] Square Opening                          |
| ___ -TC Neo-Loc Test Cap Gasket (2,3,4 [51,76,102] NL Bottom Outlet Only)  | ___ -6 Grate w/6 [152] Diameter x 6 [152] High Funnel                 |
|  | ___ -8 Grate w/8-7/8 x 3-5/8 x 3-3/4 [225 x 92 x 95] High Oval Funnel |
|  | ___ -11 Vandal Proof Secured Grate                                    |
|  | ___ -15 Solid Loose Set Cover   |

\* Regularly furnished unless otherwise specified.