



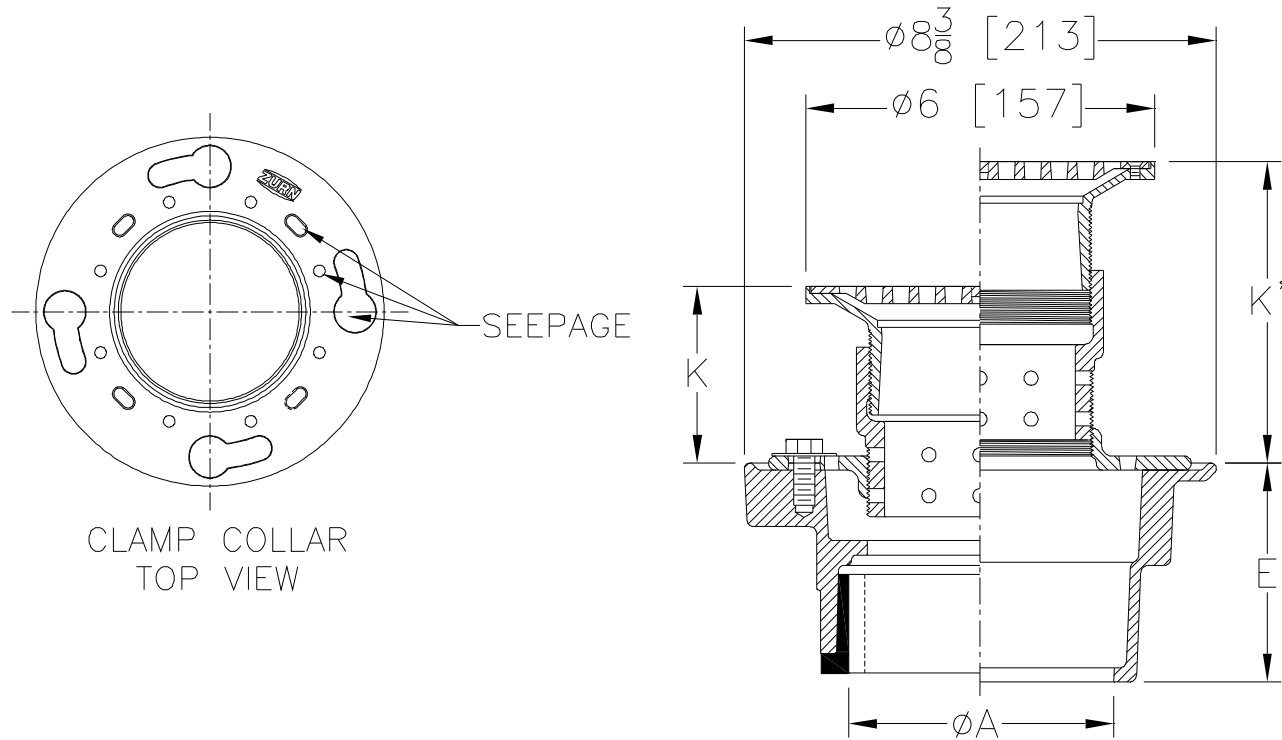
# Z415B-92

## BODY ASSEMBLY W/ "TYPE B" STRAINER & EXTENSION ADAPTER WITH SEEPAGE HOLES

SPECIFICATION SHEET

TAG \_\_\_\_\_

Dimensional Data (inches and [ mm ]) are Subject to Manufacturing Tolerances and Change Without Notice



Dimensions In Inches					Approx. Wt. Lbs.[kg]	Strainer Open Area Sq. In.[cm <sup>2</sup> ]
A Pipe Size	K		K'			
	Min.	Max.	Min.	Max.		
2-3-4-6 [51-76-102-152]	2 7/8[73]	3 13/16[97]	3 1/2[89]	5 5/16[135]	18 [8]	9 [58]

**ENGINEERING SPECIFICATION:** ZURN ZN415B-92 Floor and shower drain, Dura-Coated cast iron body with bottom outlet, combination invertible membrane clamp and adjustable collar with "TYPE B" head, extension adapter with (16) 1/4 [6] dia. holes, and polished nickel bronze strainer.

**OPTIONS** (Check/specify appropriate options)

**PIPE SIZE**

- 2 thru 4 [51 thru 102]
- 2 [51]
- 3 [76]
- 4 [102]
- 6 [152]
- 2 thru 4 [51 thru 102]
- 2 thru 4 [51 thru 102]

(Specify type/size) **OUTLET**

- \_\_\_\_\_ IC Inside Caulk
- \_\_\_\_\_ IP Threaded
- \_\_\_\_\_ IP Threaded
- \_\_\_\_\_ IP Threaded
- \_\_\_\_\_ IP Threaded
- \_\_\_\_\_ NH No-Hub
- \_\_\_\_\_ NL Neo-Loc

**'E' BODY HT. DIMENSION**

- 3 7/8 [98]
- 2 3/8 [60]
- 2 5/8 [66]
- 2 7/8 [73]
- 2 3/4 [69]
- 3 7/8 [98]
- 4 5/8 [117]

**PREFIXES**

- \_\_\_\_\_ ZB D.C.C.I. Body Assembly with Polished Bronze Top
- \_\_\_\_\_ ZN D.C.C.I. Body Assembly with Polished Nickel Bronze Top\*

**SUFFIXES**

- \_\_\_\_\_ -AR Acid Resisting Epoxy Coated Cast Iron
- \_\_\_\_\_ -G Galvanized Cast Iron
- \_\_\_\_\_ -P Trap Primer Connection (Specify 1/2 [13] or 3/4 [19])
- \_\_\_\_\_ -TC Neo-Loc Test Cap Gasket (2 - 4 [51 - [76] NL Bottom Outlet Only)
- \_\_\_\_\_ -VP Vandal-Proof Secured Top
- \_\_\_\_\_ -Y Sediment Bucket

REV. B	DATE: 4/21/09	C.N. NO. 99921
DWG. NO. P-14728	PRODUCT NO. Z415B-92	

\*REGULARLY FURNISHED UNLESS OTHERWISE SPECIFIED