



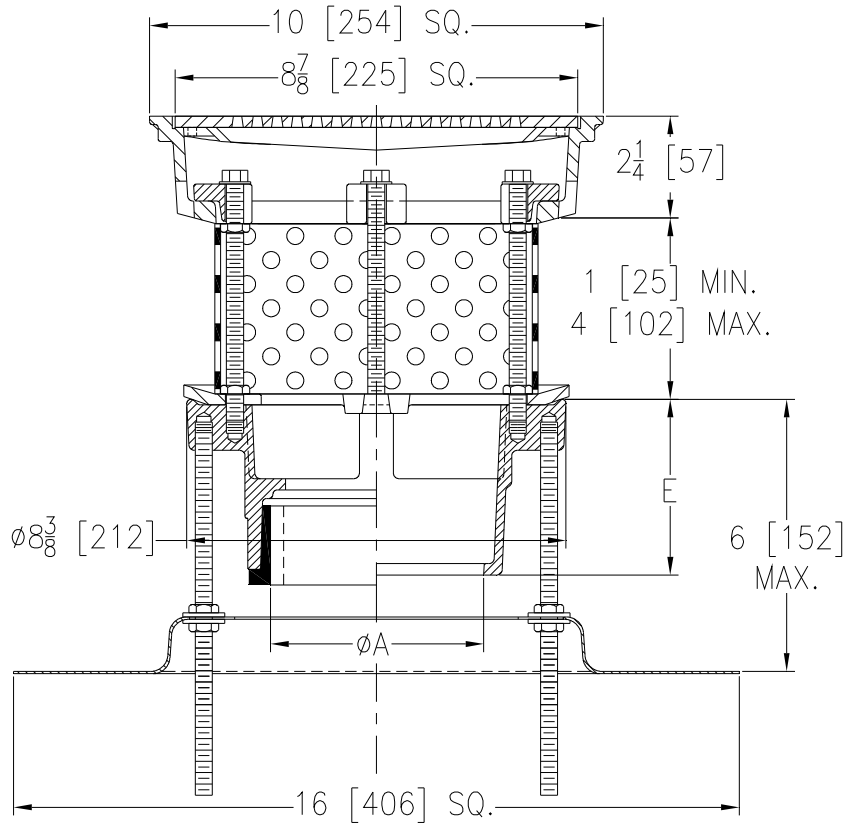
Z158-99

10 [254] SQUARE TOP PROM-DECK DRAIN W/
HEEL-PROOF GRATE, ROTATABLE FRAME, PERFORATED
EXTENSION & TOP-SET® ADJUSTABLE EXTENSION ASS'Y

SPECIFICATION SHEET

TAG _____

Dimensional Data (inches and [mm]) are Subject to Manufacturing Tolerances and Changes Without Notice



A Pipe Size In.	Approx. Wt. Lbs. [kg]	Grate Open Area Sq. In. [cm ²]
2-3-4 [51-76-102]	22 [12]	21 [136]

ENGINEERING SPECIFICATION: ZURN Z158-99

10 [254] Square Top Prom-Deck drain, galvanized cast iron body with rotatable square promenade frame, frame clamps, light duty heel-proof grate, perforated extension and top-set® adjustable extension assembly with an inverted deck plate.

OPTIONS (Check/specify appropriate options)

PIPE SIZE

- 2 thru 4 [51 thru 102]
- 2 [51]
- 3 [76]
- 4 [102]
- 2 thru 4 [51 thru 102]
- 2 thru 4 [51 thru 102]

(Specify size/type) **OUTLET**

- _____ IC Inside Caulk
- _____ IP Threaded
- _____ IP Threaded
- _____ IP Threaded
- _____ NH No-Hub
- _____ NL Neo-Loc

'E' BODY HT. DIM.

- 3 7/8 [98]
- 2 3/8 [60]
- 2 5/8 [67]
- 2 7/8 [73]
- 3 7/8 [98]
- 3 3/4 [95]

PREFIXES

- ___ Z Galvanized Body with polished Nickel Bronze Top*

SUFFIXES

- ___ -DT Decorative Polished Top (ZB and ZN Only)
- ___ -TC Neo-Loc Test Cap Gasket
(2 - 4 [51-102] NL Bottom Outlet Only)
- ___ -TS Top Secured with Slotted Screws
- ___ -VP Vandal-Proof Secured Top
- ___ -XJ Vertical Expansion Joint (See Z190)

REV.	DATE: 05/25/07	C.N. NO. 96665
DWG. NO. P-15427		PRODUCT NO. Z158-99

*REGULARLY FURNISHED UNLESS OTHERWISE SPECIFIED