



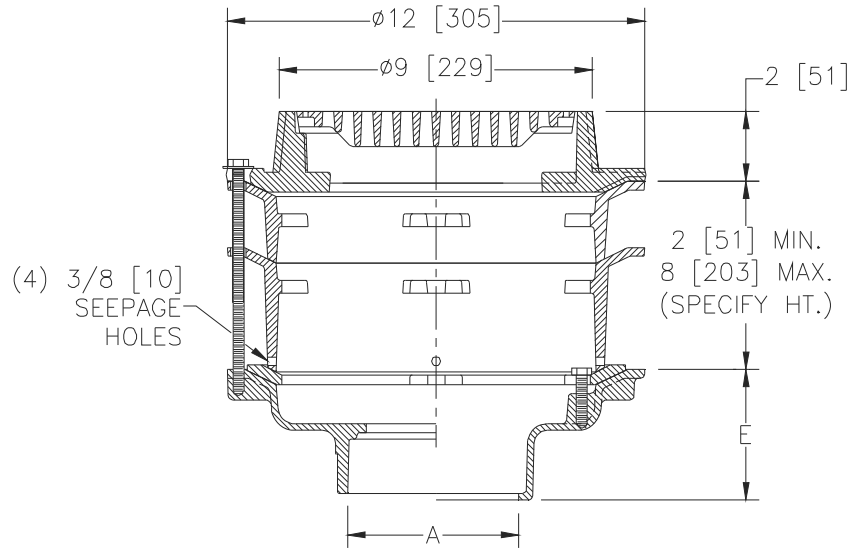
Z550-101

Ø9 [229] MEDIUM-DUTY DRAIN W/ DUAL EXTENSION FRAME & SECONDARY CLAMP COLLAR

SPECIFICATION SHEET

TAG _____

Dimensional Data (inches and [mm]) are Subject to Manufacturing Tolerances and Change Without Notice



A - Pipe Size Inches [mm]	Approx. Wt. Lbs. [kg]	Grate Open Area Sq. In. [cm ²]
2,3,4,6 [51,76,102,152]	36 [16]	18 [116]

ENGINEERING SPECIFICATION: ZURN Z550-101

9" [229mm] Diameter top drain, Dura-Coated cast iron body with bottom outlet, seepage pan and combination membrane flashing clamp/ frame for medium-duty cast iron slotted grate, secondary clamp collar, and dual extension frame with seepage holes.

OPTIONS (Check/specify appropriate options)

PIPE SIZE

- 2, 3, 4 [51, 76, 102]
- 2, 3, 4 [51, 76, 102]
- 2, 3, 4 [51, 76, 102]
- 2, 3, 4 [51, 76, 102]
- 6 [152]
- 2, 3, 4 [51, 76, 102]

(Specify size/type) OUTLET

- ___ IC Inside Caulk
- ___ IG Inside Caulk w/Sealtrol Gskt.
- ___ IP Threaded
- ___ NH No-Hub
- ___ NH No-Hub
- ___ NL Neo-Loc

'E' BODY HT. DIM.

- 3-3/4 [95]
- 3-3/4 [95]
- 2-3/4 [70]
- 4-3/4 [121]
- 5-1/4 [133]
- 3-1/2 [89]

PREFIXES

- ___ Z D.C.C.I. Body and Top*
- ___ ZB D.C.C.I. Body with Polished Bronze Top (Add 3/16 [5] to 2 [51] Dim.)
- ___ ZN D.C.C.I. Body with Polished Nickel Bronze Top (Add 3/16 [5] to 2 [51] Dim.)

SUFFIXES

- | | |
|---|--|
| ___ -AR Acid Resisting Epoxy Coated Cast Iron | ___ -SS Stainless Mesh Liner for Bucket |
| ___ -D Dome Grate | ___ -TC Neo-Loc Test Cap Gasket
(2, 3, 4 [51,76,102] NL Bottom Outlet Only) |
| ___ -DF Deflector Grate | ___ -TG Tractor Grate |
| ___ -DG Duresist Grate | ___ -TS Top Secured with Slotted Screw |
| ___ -G Galvanized Cast Iron | ___ -V Backwater Valve (See Z1099) |
| ___ -GG Galvanized Grate | ___ -VP Vandal-Proof Secured Top |
| ___ -P Trap Primer Connection | ___ -Y Sediment Bucket |
| ___ -S Secondary Strainer | ___ -90 90° Threaded Side Outlet Body
(2, 3, 4 [51,76,102]) |
| ___ -SC Solid Cover | |
| ___ -SG Solid Gasketed Cover | |

* Regularly furnished unless otherwise specified.