



# Z887-97

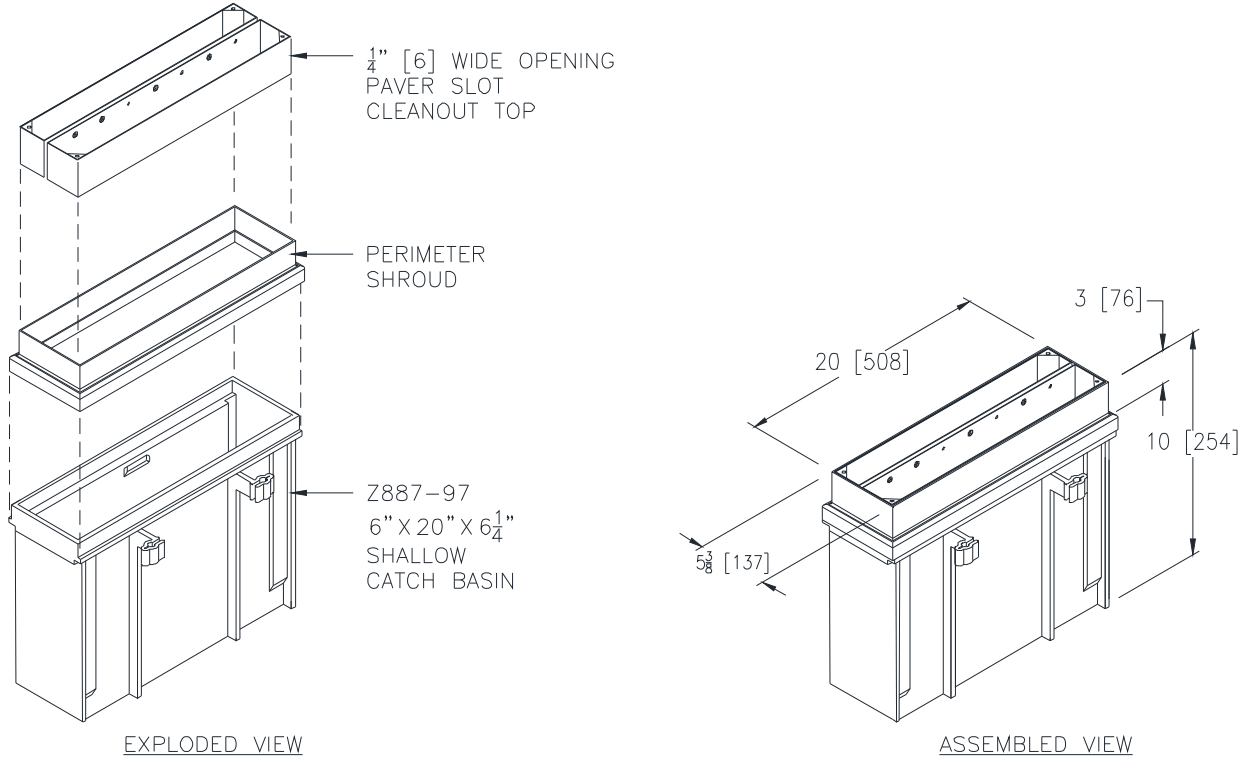
5-3/8 [137] WIDE REVEAL X 20 [508] LONG SHALLOW CATCH BASIN WITH REMOVABLE HEEL-PROOF STAINLESS STL. PAVER SLOT CLEANOUT TOP & STAINLESS STL. FIXED PERIMETER SHROUD

SPECIFICATION SHEET

TAG \_\_\_\_\_

Dimensional Data (inches and [ mm ]) are Subject to Manufacturing Tolerances and Change Without Notice

SPECIFYING ENGINEER IS RESPONSIBLE FOR CONCRETE ENCASEMENT AND REINFORCING BASED UPON APPLICATION AND LOCAL CODES



### ENGINEERING SPECIFICATION: Zurn Z887-97

Shallow Catch Basin shall be 5-3/8" [137mm] wide reveal x 20" [508mm] long, and 10" [254mm] deep. The body shall be made of 0% water absorbent High Density Polyethylene (HDPE). Shall mechanically lock into the concrete surround a minimum of every 10" [254mm]. Catch basin shall have rebar clips standard to secure basin in its final location. Shall be provided with Type 316 stainless steel stationary perimeter shroud and removable 3" [76mm] tall fabricated Type 316 stainless steel heel-proof paver slot, with Type 316 stainless steel reinforcing conforming to ASTM specifications A351, Grade CF8M. This system is rated Class C per DIN EN1433 top load classifications. Supplied in 20" [508mm] nominal lengths with 1/4" [6mm] wide slot.

### PREFIX OPTIONS (Check/specify appropriate options)

\_\_\_ Z 6-inch by 20-inch High Density Polyethylene (HDPE) Catch Basin\*

### SUFFIX OPTIONS (Check/specify appropriate options)

#### Adapters

- |            |  |         |                      |
|------------|--|---------|----------------------|
| ___ -E3/U3 | 3 [76] No-Hub End/Bottom Outlet Adapter  | ___ -IA | Inlet Adapter (Z886) |
| ___ -E4/U4 | 4 [102] No-Hub End/Bottom Outlet Adapter | ___ -IA | Inlet Adapter (Z882) |
| ___ -E6/U6 | 6 [152] No-Hub End/Bottom Outlet Adapter |         |                      |

\* Regularly furnished unless otherwise specified.