

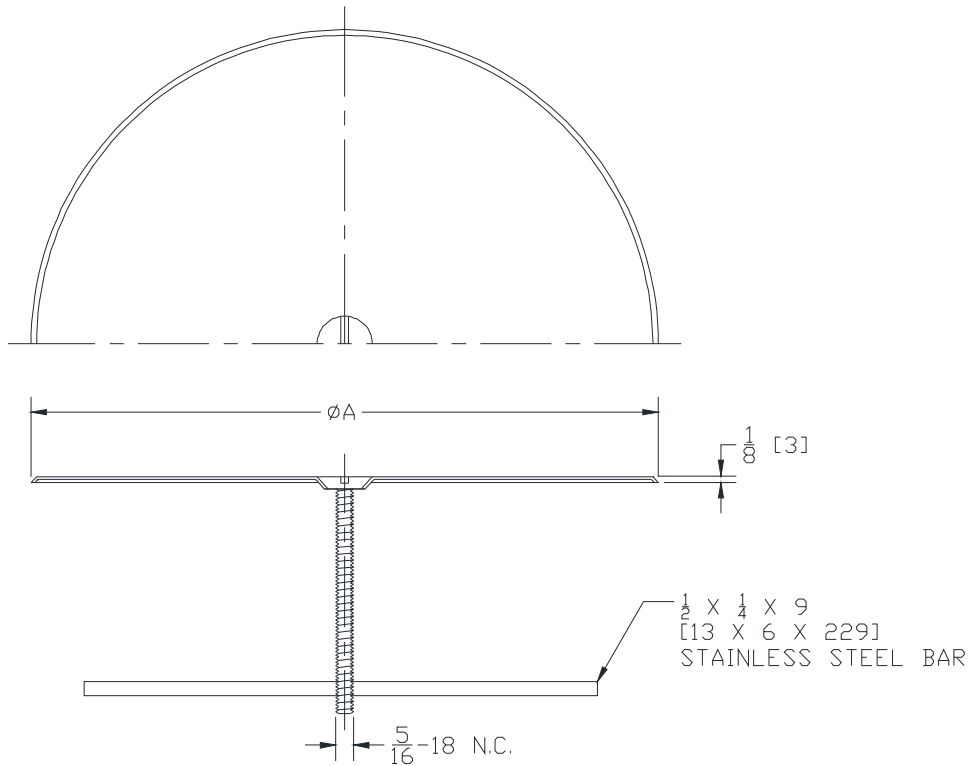


Z1469-78
ROUND ACCESS COVER WITH WALL BAR

SPECIFICATION SHEET

TAG _____

Dimensional Data (inches and [mm]) are Subject to Manufacturing Tolerances and Change Without Notice



| Product Designation | Dimensions in Inches [mm] | | Approx. Wt. Lbs. [kg] |
|---------------------|---------------------------|--------------------------|-----------------------|
| | A Cover Dia. | Nominal Pipe Size | |
| -4 | 4 [102] | 2, 3, 3-1/2 [51, 76, 89] | 1 [.5] |
| -5 | 5 [127] | 2, 3, 3-1/2 [51, 76, 89] | 1 [.5] |
| -7 | 7 [178] | 4, 5 [102, 127] | 2 [1] |
| -9 | 9 [229] | 6 [152] | 3 [1.5] |
| -11 | 11 [279] | 8 [203] | 4 [2] |

ENGINEERING SPECIFICATION: ZURNZS1469-78
 Round stainless steel access cover complete with securing screw and 9 [229] wall bar.

OPTIONS (Check/specify appropriate options)

PREFIXES

- ___ ZAB Bronze Polished Cover
- ___ ZS Stainless Steel Polished Cover*

SUFFIXES

- ___ -SL Screw Longer Than 3-1/2 [89]
- ___ -VP Vandal-Proof Screw

* Regularly furnished unless otherwise specified.