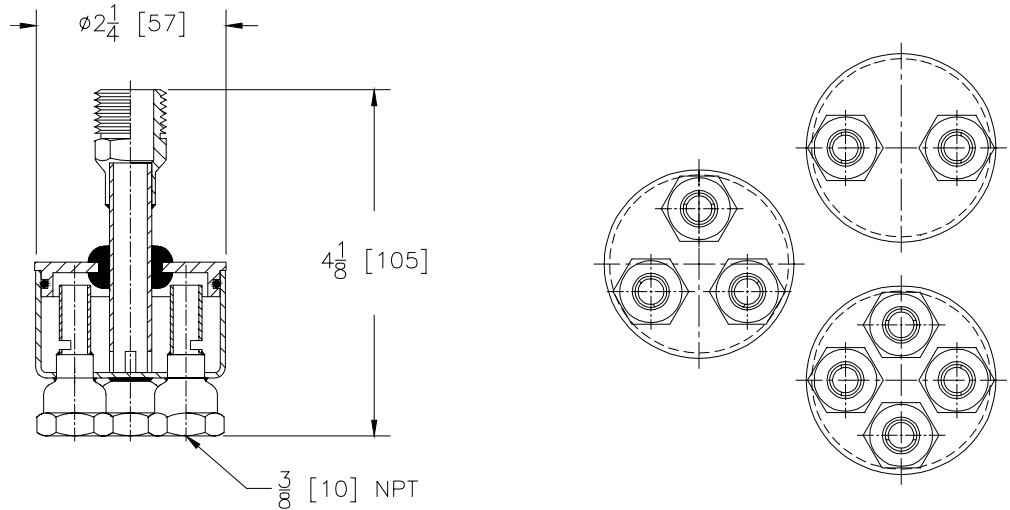




Z-1022-DU AUTOMATIC TRAP PRIMER DISTRIBUTION UNIT

The ZURN floor drain trap primer distribution unit provides a positive means of correctly dispersing supply line water to infrequently used drains. When properly installed in combination with the Z-1022 Trap Primer, the distribution unit allows for effective priming of multiple trap seals, while eliminating the need for multiple trap primers.



Zurn Distribution Units are provided with all brass body construction and polished coating, available with 2, 3, or 4 outlets. The unit's transparent removable inlet cap has an elastomeric grommet seal for a watertight connection, allowing quick and easy inspection of proper operation. Internal metering tubes and overflow ports permit even distribution of water to each outlet.

Distribution Unit	Water Distributed to Each Outlet		
	(20 psi Static)	(50 psi Static)	(80 psi Static)
-DU2	17.9	27.1	31.9
-DU3	11.8	17.2	21.3
-DU4	9.0	13.2	16.0

* Results based on 2 gpm fixture. Units in ounces/minute.

Each unit comes equipped with a slotted inlet adapter tube that accepts a 1/2" female NPT connection (by others). The inlet tube should be fully inserted in through the grommet until it comes in contact with the bottom surface of the unit body. Outlets are provided with 3/8" female pipe thread connections. Water lines running from the distribution unit to the drain trap should be 3/8" (minimum) copper pipe.

Zurn Distribution Units should be installed in an upright, level position at a rough-in height of 6" from the bottom of the trap primer to the top of the distribution unit cap to ensure that the proper amount of water is evenly discharged through the outlets.

