

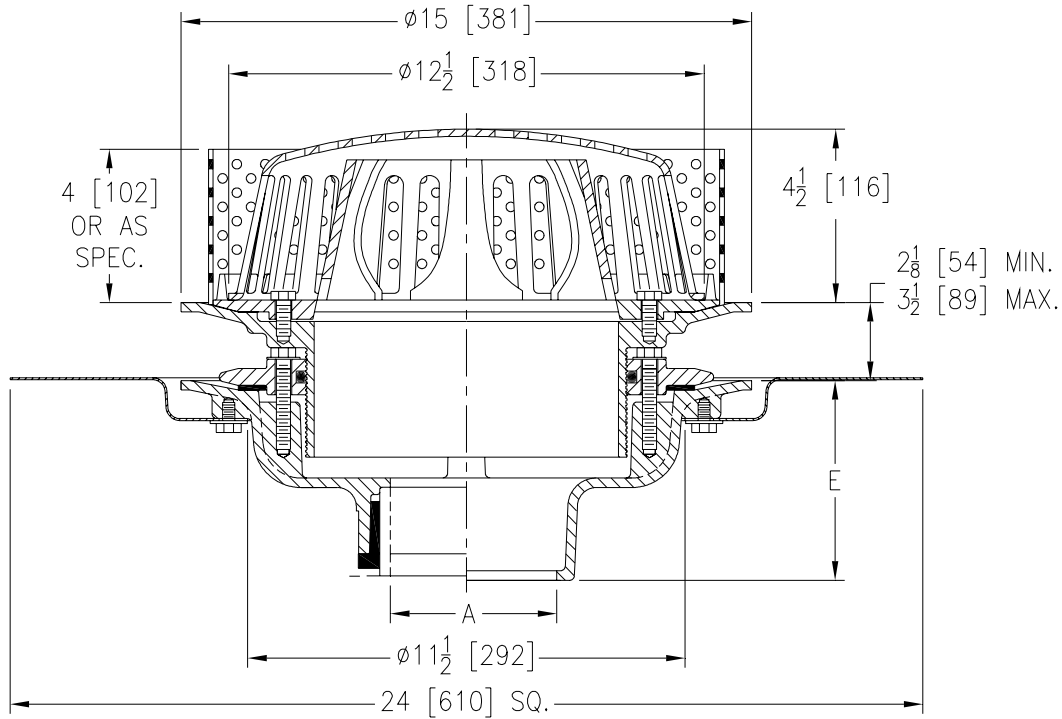


Z105-83

"CONTROL-FLO" ROOF DRAIN W/PARABOLIC WEIR
TOP-SET® DECK PLATE, ADJUSTABLE EXTENSION
& GRAVEL GUARD

TAG _____

Dimensional Data (inches and [mm]) are Subject to Manufacturing Tolerances and Change Without Notice



A Pipe Size In.	Approx. Wt. Lbs. [kg]	Dome Open Area Sq. In. [cm ²]
2-3-4 [51-76-102]	44 [20]	103 [665]

ENGINEERING SPECIFICATION: ZURN Z105-83 "Control-Flo" roof drain for Dead-Level roof construction, Dura-Coated cast iron body, "Control-Flow" weir shall be linear functioning with integral membrane flashing clamp/gravel guard, top-set® deck plate, adjustable extension, stainless steel perforated gravel guard and Poly-Dome. All data shall be verified proportional to flow rates.

OPTIONS (Check/specify appropriate options)

PIPE SIZE

- 2-3-4 [51-76-102]
- 2-3-4 [51-76-102]
- 2-3-4 [51-76-102]
- 2-3-4 [51-76-102]

(Specify size/type) **OUTLET**

- _____ IC Inside Caulk
- _____ IP Threaded
- _____ NH No-Hub
- _____ NL Neo-Loc

E BODY HT. DIM.

- 5 1/4 [133]
- 3 3/4 [95]
- 5 1/4 [133]
- 4 5/8 [117]

PREFIXES

- _____ Z D.C.C.I. Body with Poly-Dome*
- _____ ZA D.C.C.I. Body with 6 3/4 [171] High Aluminum Dome
- _____ ZC D.C.C.I. Body with Cast Iron Dome
- _____ ZRB D.C.C.I. Body with Plain Bronze Dome

Note:

The stainless steel perforated gravel guard extension shown is not an option for this drain. The flow through perforated gravel guard may negate the operation of the flow control weir. Customer accepts all responsibility for this installation.

SUFFIXES

- _____ -DR Top-Set® Drain Riser
- _____ -E Static Extension 1 [25] thru 4 [102] (Specify Ht.)
- _____ -G Galvanized Cast Iron
- _____ -SC Secondary Clamping Collar
- _____ -TC Neo-Loc Test Cap Gasket (2 - 4 [51 - 102] NL Bottom Outlet Only)
- _____ -VP Vandal Proof Secured Top
- _____ -XJ Vertical Expansion Joint (See Z190)
- _____ -10 Parabolic Weir for Sloped Roof (See Z105)

*REGULARLY FURNISHED UNLESS OTHERWISE SPECIFIED

REV.	DATE: 1/18/06	C.N. NO. 94589
DWG. NO. P-15238 PRODUCT NO. Z105-83		