



# Z100-315

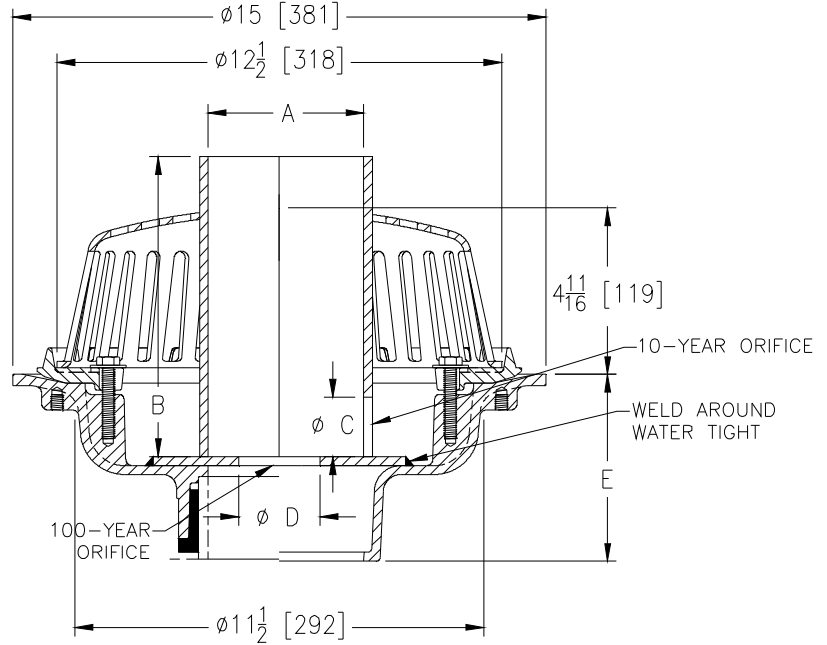
## 15 [381] DIAMETER MAIN ROOF DRAIN LOW SILHOUETTE DOME W/ CONTROL FLOW ORIFICE & STANDPIPE

SPECIFICATION SHEET

TAG \_\_\_\_\_

Dimensional Data (inches and [ mm ]) are Subject to Manufacturing Tolerances and Change Without Notice

DRAIN	10-YEAR			100-YEAR
	DEPTH (IN),B	ORIFICE Ø (IN),C	QTY.	ORIFICE Ø (IN),D
A1	14.44	0.5	2	1.2
A2	12.04	0.5	2	1.3
A3	10.84	0.6	2	1.4
A4	14.44	0.5	2	1.4
A5	12.04	0.4	2	1.3
A6	8.44	0.4	2	1.2
A7	8.44	0.4	2	1.2
A8	8.44	0.4	2	1.2
B1	8.44	0.4	2	1.2
B2	8.44	0.4	2	1.2
B3	8.44	0.4	2	1.2
B4	8.44	0.4	2	1.2



A Pipe Size In. [mm]	Approx. Wt. Lbs. [kg]	Dome Open Area Sq. In. [cm <sup>2</sup> ]
3,4 [76,102]	26 [12]	103 [665]
5,6 [127,152]	27 [12]	
8 [203]	28 [13]	

### ENGINEERING SPECIFICATION: ZURN Z100-315

15" [381 mm] Diameter roof drain. Dura-Coated cast iron body with combination membrane flashing clamp/gravel guard, low silhouette Poly-Dome, and water dam featuring 10-year and 100-year control flow orifices.

### OPTIONS (Check/specify appropriate options)

#### PIPE SIZE

- 3, 4, 5, 6, 8 [76, 102, 127, 152, 203]
- 3, 4, 5, 6, 8 [76, 102, 127, 152, 203]
- 3, 4, 5, 6, 8 [76, 102, 127, 152, 203]
- 3,4 [76,102]
- 6 [152]

#### (Specify size/type) OUTLET

- \_\_\_\_\_ IC Inside Caulk
- \_\_\_\_\_ IP Threaded
- \_\_\_\_\_ NH No-Hub
- \_\_\_\_\_ NL Neo-Loc
- \_\_\_\_\_ NL Neo-Loc

#### E BODY HT. DIM.

- 5-1/4 [133]
- 3-3/4 [95]
- 5-1/4 [133]
- 4-9/16 [116]
- 5-7/16 [112]

#### PREFIXES

- \_\_\_\_\_ Z D.C.C.I. Body with Poly-Dome\*
- \_\_\_\_\_ ZA D.C.C.I. Body with Aluminum Dome
- \_\_\_\_\_ ZC D.C.C.I. Body with Cast Iron Dome
- \_\_\_\_\_ ZRB D.C.C.I. Body with Plain Bronze Dome

#### SUFFIXES

- |   |  |
|---|--|
| _____ -AC Angular Underdeck Clamp                           | _____ -GD Galvanized Cast Iron Dome (ZC Only)  |
| _____ -AR Acid Resistant Epoxy Coated                       | _____ -HD 6-3/4 [171] High Aluminum Dome Strainer (148 Sq. In. [955 cm <sup>2</sup> ] Open Area) (ZA Only) |
| _____ -BS Bronze Mesh Screen Over Dome                      | _____ -R Roof Sump Receiver  |
| _____ -C Underdeck Clamp                                    | _____ -SS Stainless Steel Mesh Screen Over Dome  |
| _____ -DE Deck Extension                                    | _____ -ST Dome with Solid Top (ZA, ZC & ZRB Only)  |
| _____ -DP Top-Set® Deck Plate (Replaces both the -C and -R) | _____ -VP Vandal-Proof Secured Top   |
| _____ -DR Top-Set® Drain Riser                              | _____ -84 Stainless Steel Perforated Gravel Guard  |
| _____ -DX Dex-o-tex Flange                                  | _____ -89 2 [51] High External Water Dam   |
| _____ -EB Top-Set® Adjustable Extension Assembly            |  |
| _____ -G Galvanized Cast Iron                               |  |

\* Regularly furnished unless otherwise specified.