



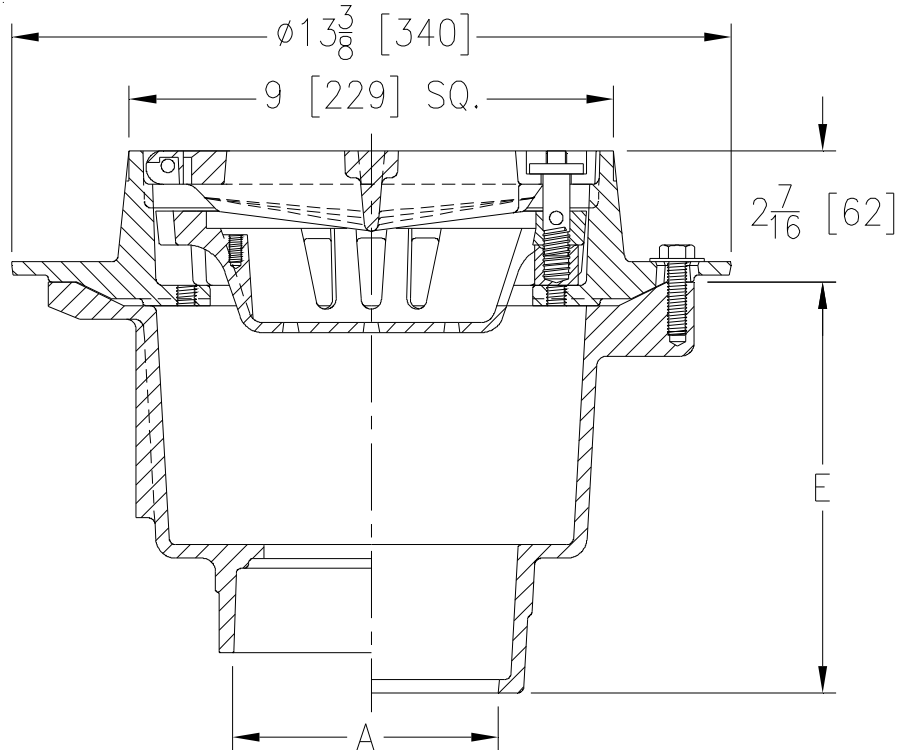
Z513-HL

9 [229] SQUARE HEAVY-DUTY DRAIN W/ HINGED LOCKING GRATE

SPECIFICATION SHEET

TAG _____

Dimensional Data (inches and [mm]) are Subject to Manufacturing Tolerances and Change Without Notice



A Pipe Size In [mm]	Approx. Wt. Lbs. [kg]	Grate Open Area Sq. In. [cm ²]
3,4 [76,102]	57 [26]	20 [129]

ENGINEERING SPECIFICATION: ZURN Z513-HL

9" [229mm] Square top drain, Dura-Coated cast iron deep sump body with bottom outlet, seepage pan and combination flashing clamp and frame for heavy-duty hinged locking slotted grate with suspended sediment bucket.

OPTIONS (Check/specify appropriate options)

PIPE SIZE
3,4 [76,102]

(Specify size/type) **OUTLET**
____ NL Neo-Loc

'E' BODY HT. DIM.
6-5/8 [168]

PREFIXES

- ____ Z D.C.C.I. Body and Top*
- ____ ZB D.C.C.I. Body with Polished Bronze Top (Add 3/16 [5] to 2-7/16 [62] Dim. & 3/4 [19] to 9 [229] Dim.)
- ____ ZN D.C.C.I. Body with Polished Nickel Bronze Top (Add 3/16 [5] to 2-7/16 [62] Dim. & 3/4 [19] to 9 [229] Dim.)

SUFFIXES

- ____ -AR Acid Resisting Epoxy Coated Cast Iron
- ____ -G Galvanized Cast Iron
- ____ -P Trap Primer Connection
- ____ -SS Stainless Mesh Liner for Bucket
- ____ -TC Neo-Loc Test Cap Gasket
(3,4 [76,102] NL Bottom Outlet Only)
- ____ -VP Vandal-Proof Secured Top

* Regularly furnished unless otherwise specified.