

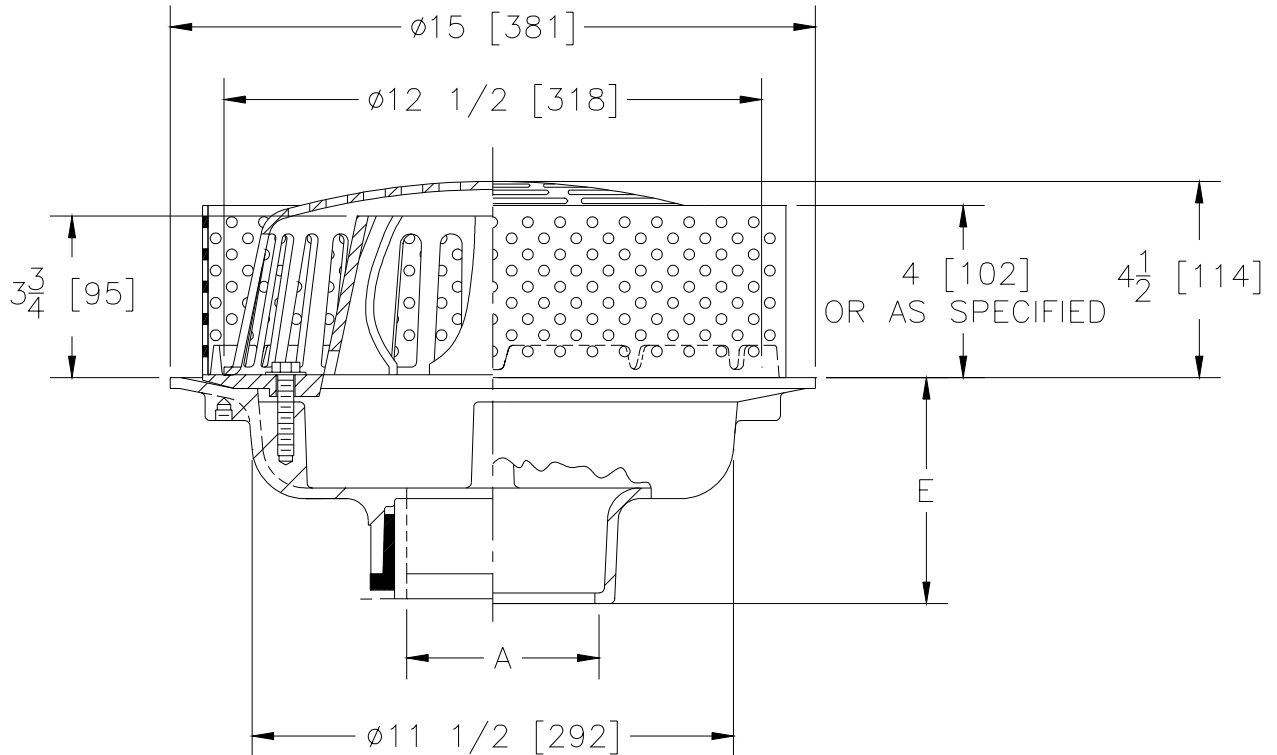


Z-105-82
"CONTROL-FLO" ROOF DRAIN
WITH PARABOLIC WEIR

SPECIFICATION SHEET

TAG _____

Dimensional Data (inches and [mm]) are Subject to Manufacturing Tolerances and Change Without Notice



A- Pipe Size In.	Approx. Wt. Lbs. [kg]	Dome Open Area Sq. In. [cm ²]
2-3-4 [50-75-100]	34 [15]	103 [665]

ENGINEERING SPECIFICATION: ZURN Z-105-82 "Control-Flo" roof drain for Dead-Level roof construction, Dura-Coated cast iron body, "Control-Flow" weir shall be linear functioning with integral membrane flashing clamp/gravel guard and Poly-Dome. All data shall be verified proportional to flow rates.

OPTIONS (Check/specify appropriate options)

PIPE SIZE	(Specify size/type)	OUTLET	E BODY HT. DIM.
2, 3, 4 [50, 75, 100]	_____	IC Inside Caulk	5 1/4 [133]
2, 3, 4 [50, 75, 100]	_____	IP Threaded	3 3/4 [95]
2, 3, 4 [50, 75, 100]	_____	NH No-Hub	5 1/4 [133]
2, 3, 4 [50, 75, 100]	_____	NL Neo-Loc	4 5/8 [117]

PREFIXES

_____ Z-	D.C.C.I. Body with Poly-Dome*
_____ ZA-	D.C.C.I. Body with 6 3/4 [171] High Aluminum Dome
_____ ZC-	D.C.C.I. Body with Cast Iron Dome
_____ ZRB-	D.C.C.I. Body with Plain Bronze Dome

Note:

The -84 stainless steel perforated gravel guard extension shown is not an option for this drain. The flow thru stone and perforated extension will negate the operation of the flow control weir. Customer accepts all responsibility for this installation because he insisted on this application.

SUFFIXES

_____ -C	Underdeck Clamp	_____ -SC	Secondary Clamping Collar
_____ -E	Static Extension 1 [25] thru 4 [102] (Specify Ht.)	_____ -VP	Vandal Proof Secured Top
_____ -EA	Adjustable Extension Assembly 1 3/4 [44] thru 3 1/2 [89]	_____ -XJ	Vertical Expansion Joint (See Z-190)
_____ -G	Galvanized Cast Iron	_____ -10	Parabolic Weir for Sloped Roof (See Z-105)
_____ -R	Roof Sump Receiver	_____ -90	90° Threaded Side Outlet Body

*REGULARLY FURNISHED UNLESS OTHERWISE SPECIFIED

REV. DATE: 4/9/99 C.N. NO. 82418

DWG. NO. P-14704 PRODUCT NO. Z-105-82