

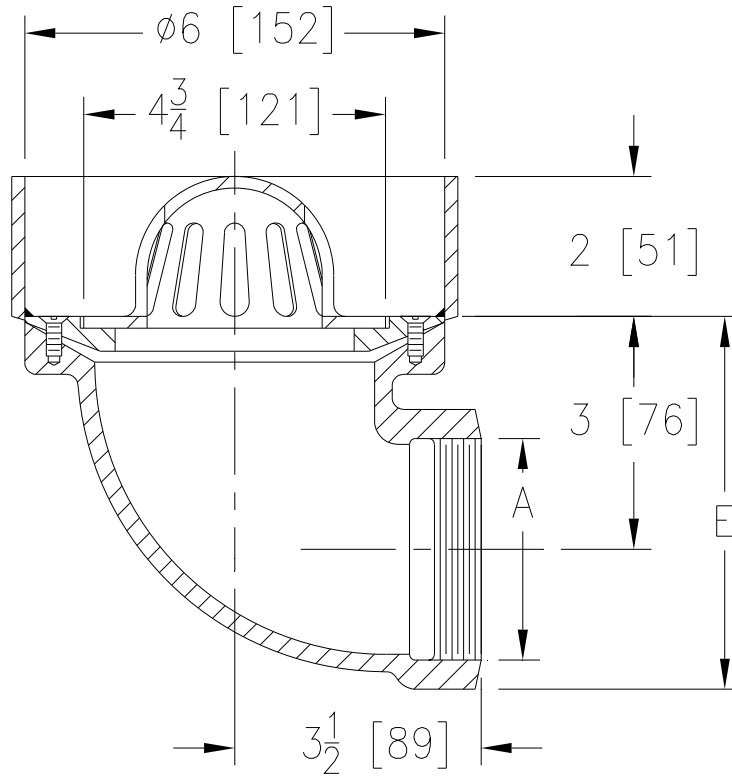


Z185-79
6 [152] DIAMETER CORNICE DRAIN
90° OUTLET W/2 [51] HIGH WATER DAM

SPECIFICATION SHEET

TAG _____

Dimensional Data (inches and [mm]) are Subject to Manufacturing Tolerances and Changes Without Notice



A- Pipe Size In.	Approx. Wt. Lbs. [kg]	Dome Open Area Sq. In. [cm ²]
3 [75]	8 [4]	12 [72]
4 [100]	10 [4]	

ENGINEERING SPECIFICATION: ZURN ZRB185-79 6 [152] Diameter Cornice drain, Dura-Coated cast iron 90° side outlet body, plain bronze dome and membrane flashing clamp with 2 [51] brass water dam.

OPTIONS (Check/specify appropriate options)

PIPE SIZE

(Specify size) **OUTLET**

'E' BODY HT. DIM.

3 [75]	___ IP Threaded	5 1/8 [130]
4 [100]	___ IP Threaded	5 5/8 [143]

PREFIXES

___ ZRB	D.C.C.I. Body with Plain Bronze Dome*
___ ZB	D.C.C.I. Body with Polished Bronze Dome
___ ZN	D.C.C.I. Body with Polished Nickel Bronze Dome

SUFFIXES

___ -G	Galvanized Cast Iron
___ -HD	High Dome
___ -VP	Vandal Proof Secured Top
___ -45	45° Side Outlet Body

REV. DATE: 10/15/06 C.N. NO. 99205

DWG. NO. P-15610 PRODUCT NO. Z185-79

*REGULARLY FURNISHED UNLESS OTHERWISE SPECIFIED

ZURN INDUSTRIES, LLC. ♦ SPECIFICATION DRAINAGE OPERATION ♦ 1801 Pittsburgh Ave. ♦ Erie, PA 16514

Phone: 814/455-0921 ♦ Fax: 814/454-7929 ♦ World Wide Web: www.zurn.com

In Canada: ZURN INDUSTRIES LIMITED ♦ 3544 Nashua Drive ♦ Mississauga, Ontario L4V1L2 ♦ Phone: 905/405-8272 Fax: 905/405-1292