



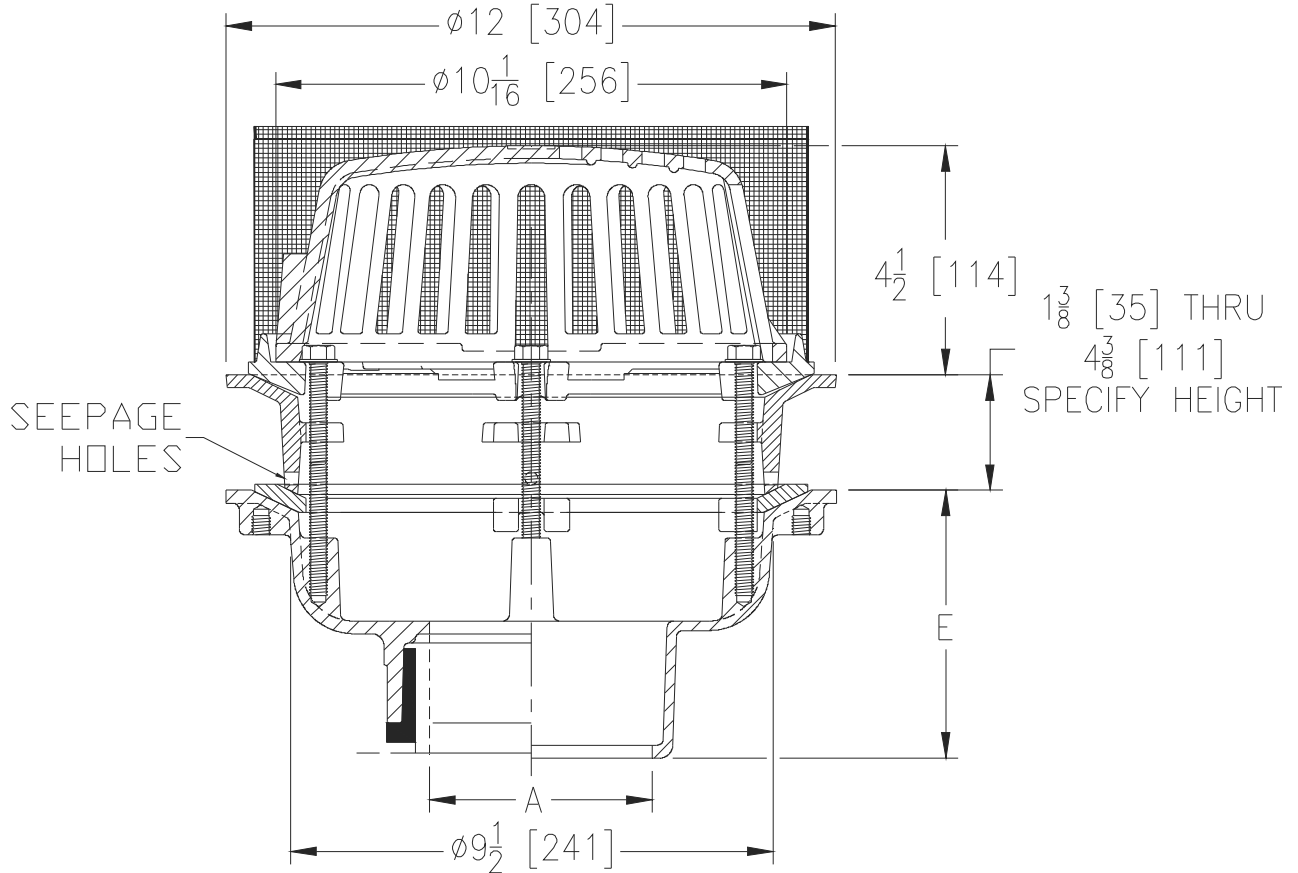
Z348-88

DOME TYPE PLANTING AREA DRAIN W/STATIC EXTENSION AND SECONDARY CLAMPING COLLAR

SPECIFICATION SHEET

TAG _____

Dimensional Data (inches and [mm]) are Subject to Manufacturing Tolerances and Change Without Notice



A-Pipe Size Inches [mm]	Approx. Wt. Lbs. [kg]	Dome Open Area Sq. In. [cm ²]
2,3,4,6 [51,76,102,152]	23 [10]	78 [503]

ENGINEERING SPECIFICATION: ZURN Z348-88

Dome type planting area drain, Dura-Coated cast iron body with bottom outlet complete with combination membrane flashing clamp/gravel guard, static extension with seepage holes, secondary clamping collar, low silhouette dome and stainless steel mesh screen over dome.

OPTIONS (Check/specify appropriate options)

PIPE SIZE

2,3,4,6 [51,76,102,152]
2,3,4,6 [51,76,102,152]
2,3,4,6 [51,76,102,152]
2,3,4,6 [51,76,102,152]
2,3,4 [51,76,102]

(Specify size/type) **OUTLET**

___ IC Inside Caulk
___ IG Inside Gasket
___ IP Threaded
___ NH No-Hub
___ NL Neo-Loc

'E' BODY HT. DIM.

5-1/4 [133]
5-1/4 [133]
3-3/4 [95]
5-1/4 [133]
4-5/8 [117]

PREFIXES

___ Z D.C.C.I Body, Clamping Collar and Dome (4-1/4 [108] Dome Height)*
___ ZB D.C.C.I Body, Clamping Collar and Bronze Dome (3-7/8 [98] Dome Height)

SUFFIXES

___ -G Galvanized Cast Iron
___ -SA Stabilizer Assembly (See Z1036)
___ -TC Neo-Loc Test Cap Gasket
(2 [51], 4 [102] NL Bottom Outlet Only)

* Regularly furnished unless otherwise specified.