



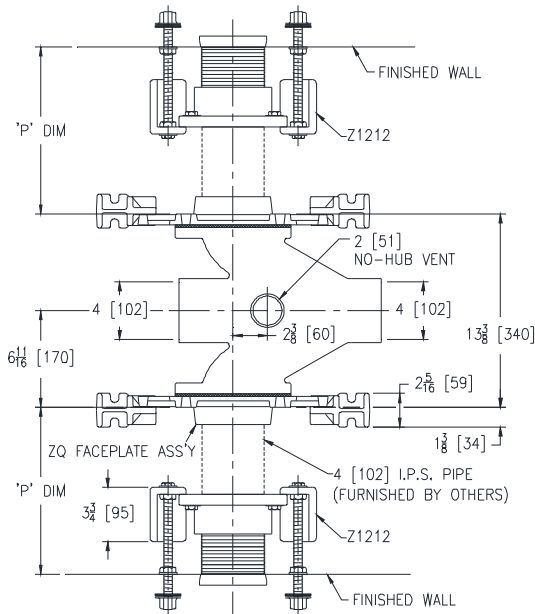
Z1203-ND4-A

ADJUSTABLE HORIZONTAL BACK TO BACK SIPHON JET NO-HUB W/AUXILIARY SUPPORT ASSEMBLY

SPECIFICATION SHEET

TAG _____

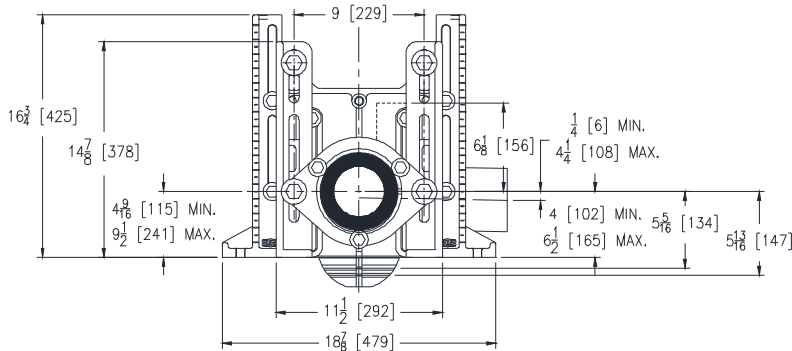
Dimensional Data (inches and [mm]) are Subject to Manufacturing Tolerances and Change Without Notice



Product Number	Approx. Wt. Lbs. [kg]
Z1203-ND4-A	120[51]

Note:

- 'P' = Greater than 18 [457]
- Feet bolted to floor using min. 1/2 [13] dia. bolts and back slots on carrier feet.



ENGINEERING SPECIFICATION: ZURN Z1203-ND4-A() Adjustable, horizontal siphon jet water closet "Rigid System" with 4" [102mm] No-Hub connections. Complete with Dura-Coated cast iron double main fitting, with 2" [51mm] vent, adjustable gasketed face plates, universal floor mounted foot supports, corrosion resistant adjustable ABS couplings with integral test cap, fixture bolts, trim, stud protectors and bonded "Neo-Seal" gaskets. Furnished with Z1212 Auxiliary Support Assembly.

OPTIONS (Check/specify appropriate options)

___ Z1203-ND-A 4 [102] No-Hub Back to Back Inlet (Double)

PREFIXES

___ Z D.C.C.I. System with Zurn "ZZ" Adjustable Coupling*
 ___ ZQ D.C.C.I. System with Non-Adjustable Coupling

SUFFIXES

___ -B Blowout Type Fixture Support
 ___ -CC Corrosion Resistant Cast Iron Coupling (6 - 12 [152 - 305])
 ___ -F Floor Mount, Back Outlet Fixture Support
 ___ -JC 2 [51] Auxiliary Inlet with Sanitary Sweep on Faceplate Centerline (No-Hub only)
 ___ -M Auxiliary Foot Support (for 'P' Dim. 10 - 18 [254 - 457])
 ___ -PF Pre-Fab Foot
 ___ -PS Pre-Fab Slotted Foot
 ___ -RYK Unistrut Pre-Fab Foot
 ___ -VP Vandal-Proof Trim
 ___ -X3 3 [76] Foot Extension (See Z1200-FT-EXT-3)
 ___ -X4 4 [102] Foot Extension (See Z1200-FT-EXT-4)
 ___ -45 Finishing Frame for Siphon Jet System (See Z1200-FINFRAME-SJ)
 ___ -50 Flush Valve Supply Support for W.C. (See Z1200-SPLY-SPRT-WC)

* Regularly furnished unless otherwise specified.

Zurn Industries, LLC | Specification Drainage Operation
 1801 Pittsburgh Avenue, Erie, PA U.S.A. 16502 · Ph. 855-663-9876, Fax 814-454-7929
 In Canada | Zurn Industries Limited
 3544 Nashua Drive, Mississauga, Ontario L4V 1L2 · Ph. 905-405-8272, Fax 905-405-1292
www.zurn.com

Rev. A
 Date: 10/10/2017
 C.N. No. 138601
 Prod. | Dwg. No. Z1203-ND4-A